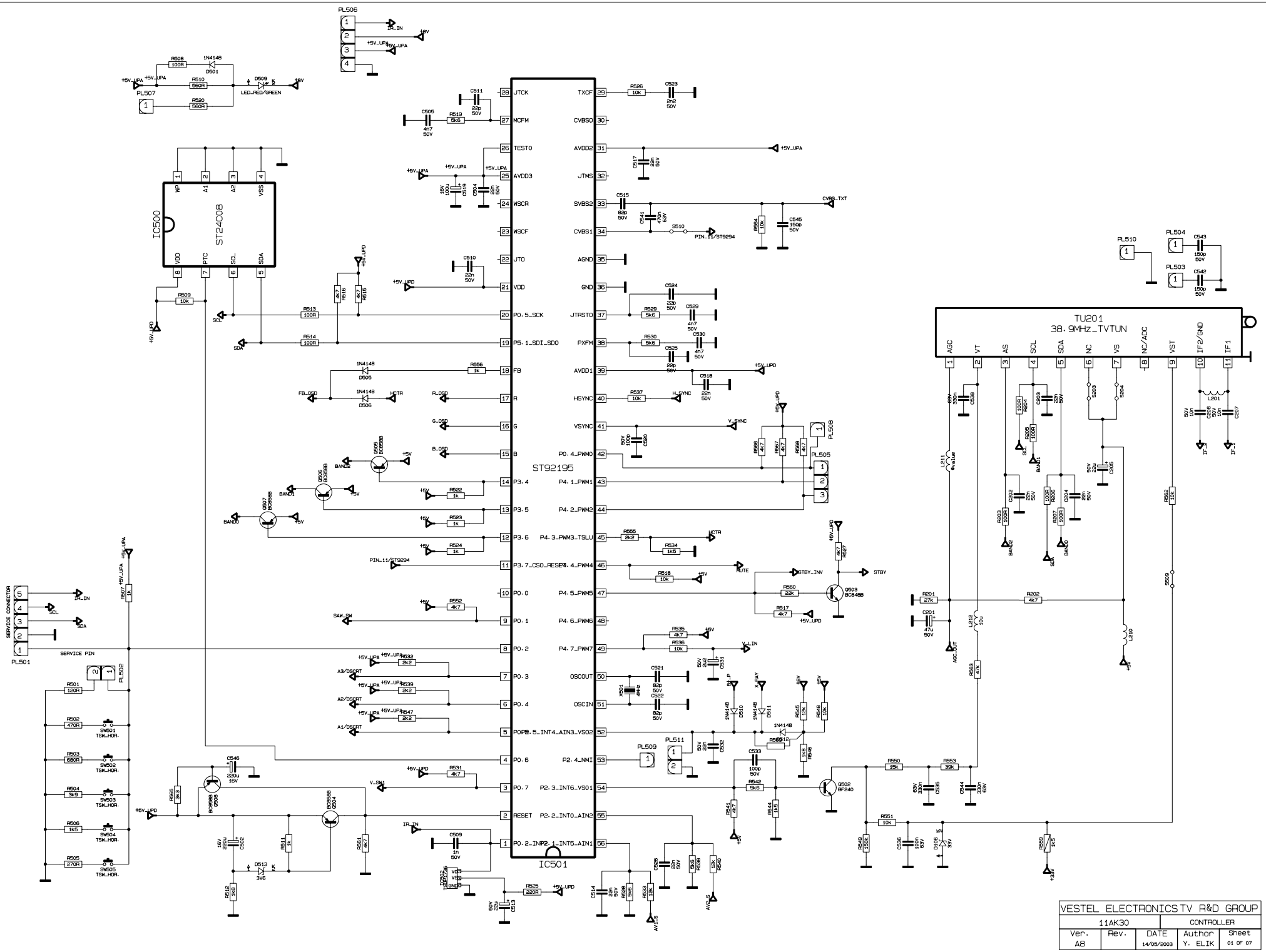


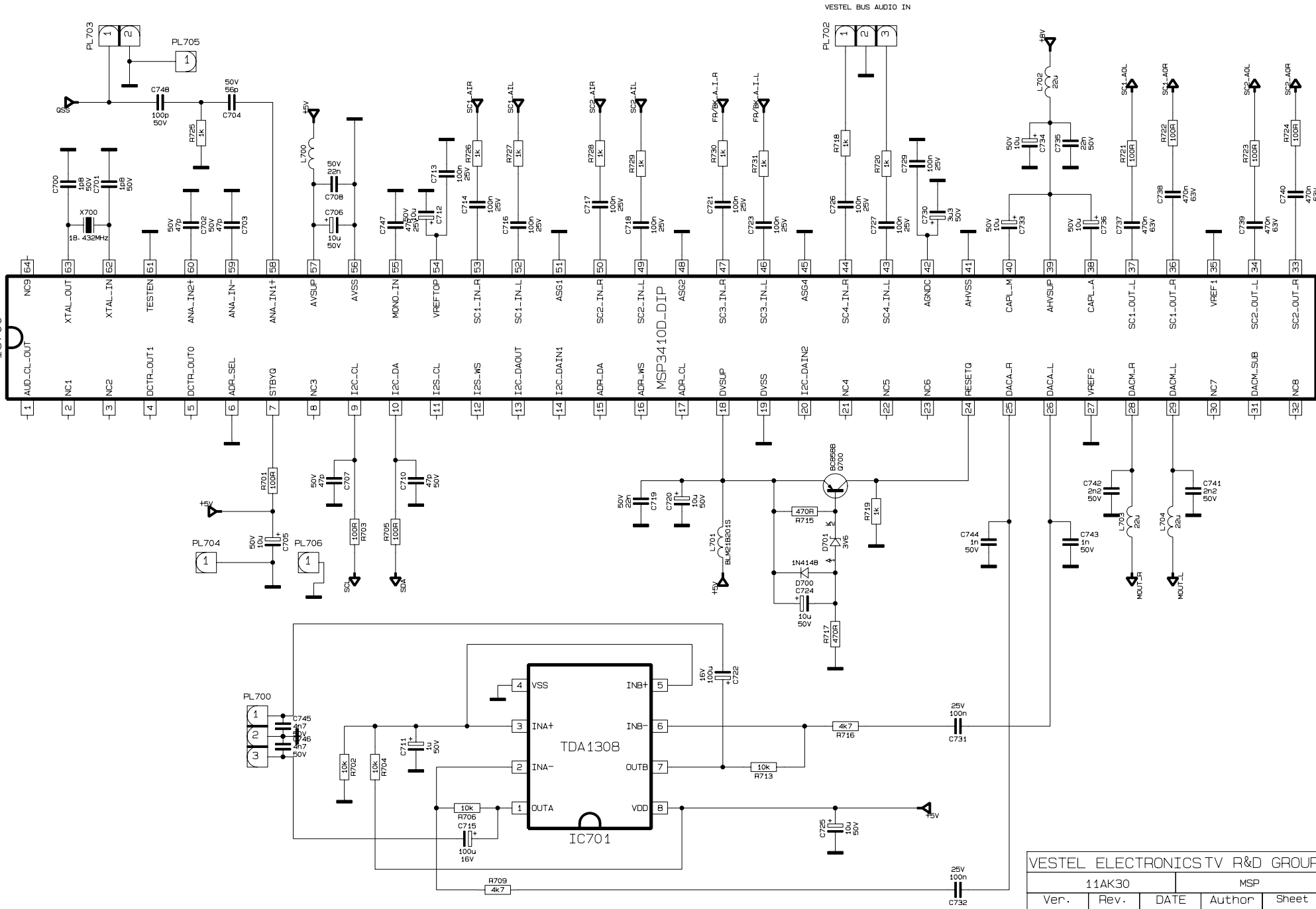
SNT877 VE SNT876 -118Vp  
 SNT332 VE SNT333 200V  
 SNT 516 -108Vp  
 SNT596 1600V

VESTEL ELECTRONICS TV R&D GROUP				
11AK30		DEFLECTION		
Ver.	Rev.	DATE	Author	Sheet
AB		14/05/2003	Y. ELIK	04 OF 07

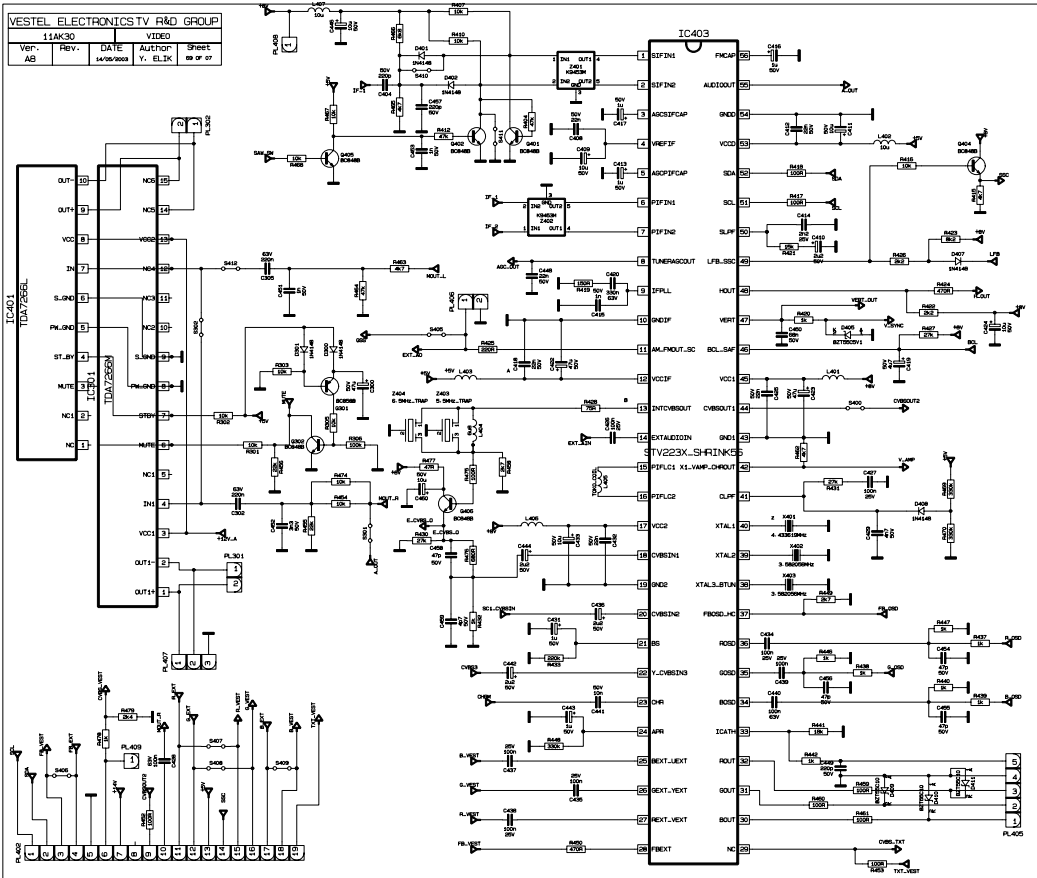


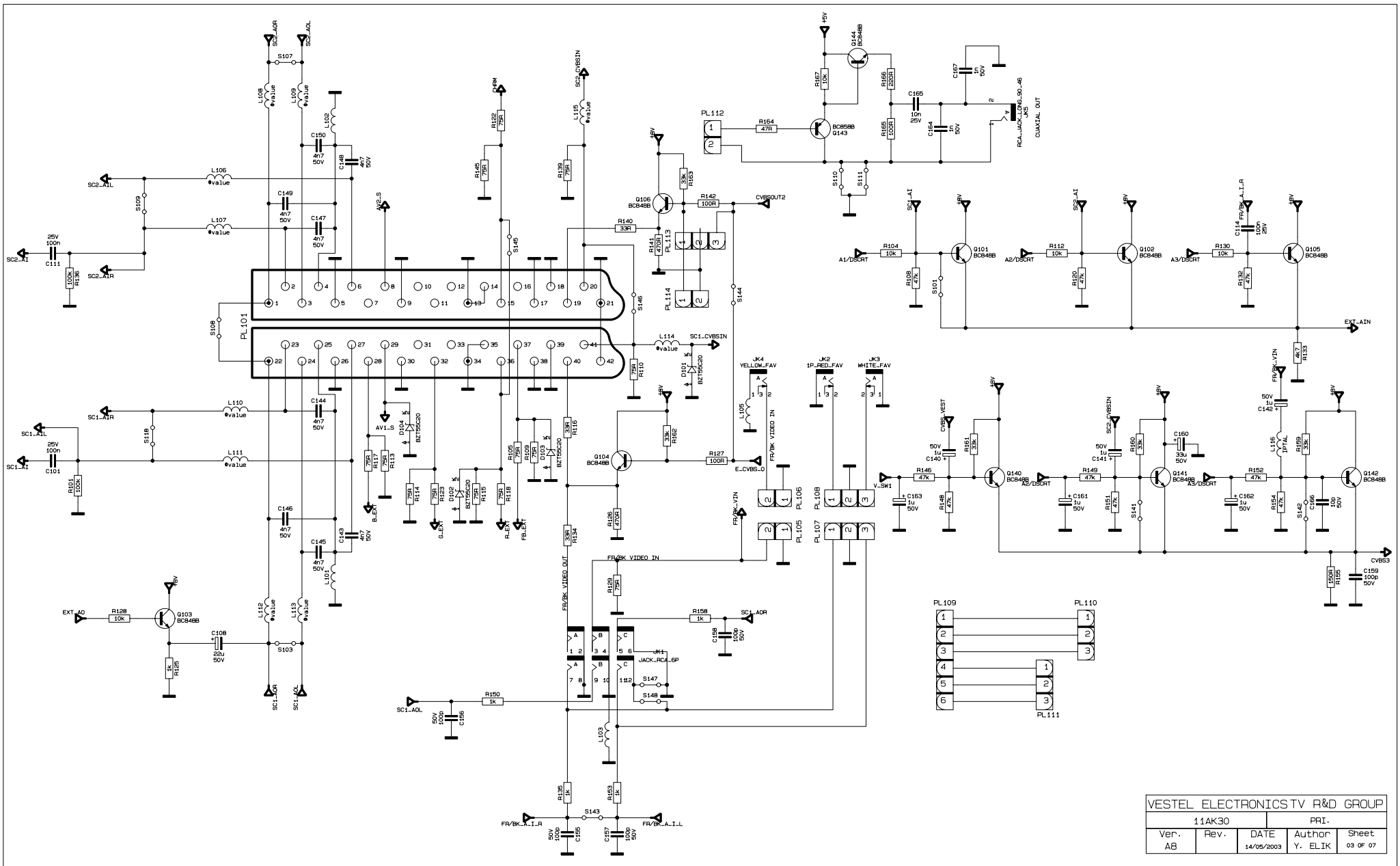
VESTEL ELECTRONICS TV R&D GROUP				
11AK30		CONTROLLER		
Ver. AB	Rev.	DATE 14/06/2003	Author Y. ELIK	Sheet 01 OF 07

IC700



VESTEL ELECTRONICSTV R&D GROUP				
11AK30		MSP		
Ver. AB	Rev.	DATE 14/05/2003	Author Y. ELIK	Sheet 07 OF 07





IC900

TDA6107Q

VESTEL ELECTRONICS TV R&D GROUP				
11AK30			CRT BOARD	
Ver. A8	Rev.	DATE 14/05/2003	Author Y. ELIK	Sheet 08 OF 07

