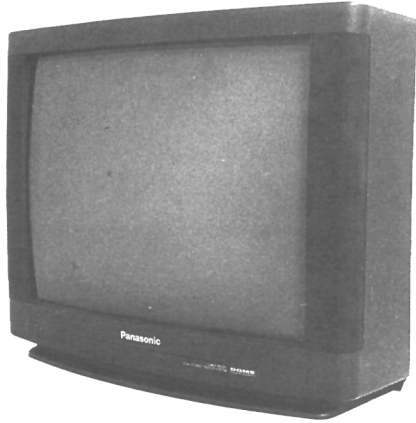


Service Manual

Colour Television



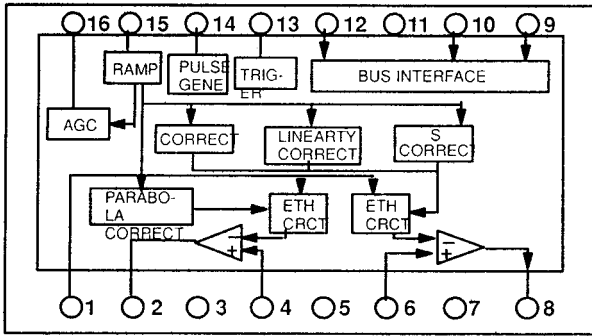
TC-21GF10R

MX-2 Chassis

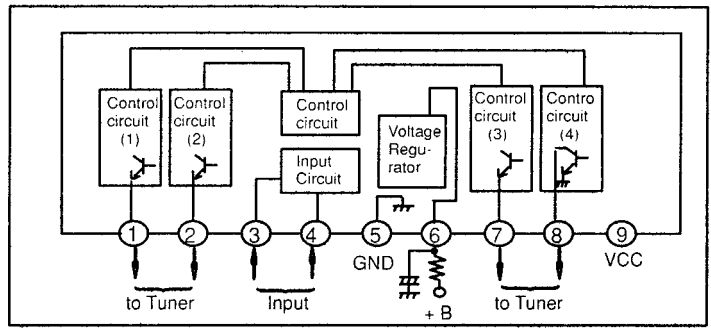
SPECIFICATIONS\ТЕХНИЧЕСКИЕ ХАРАКТЕРИСТИКИ
LOCATION OF CONTROLS\РАСПОЛОЖЕНИЕ ОРГАНОВ УПРАВЛЕНИЯ
MX-2 CHASSIS BLOCK DIAGRAM\БЛОК-СХЕМА ШАССИ MX-2
DISASSEMBLY AND SETUP MODE\РАЗБОРКА И РЕЖИМ УСТАНОВКИ
ADJUSTMENTS\РЕГУЛИРОВКИ
BLOCK DIAGRAM FOR INTEGRATED CIRCUITS\БЛОК-СХЕМА МИКРОСХЕМ
TEST POINT WAVEFORMS\ОСЦИЛЛОГРАММЫ
SCHEMATIC DIAGRAMS\ПРИНЦИПИАЛЬНЫЕ СХЕМЫ
PARTS LOCATION\РАСПОЛОЖЕНИЕ ЧАСТЕЙ
REPLACEMENT PARTS LIST\СПИСОК ЗАПАСНЫХ ЧАСТЕЙ

Panasonic

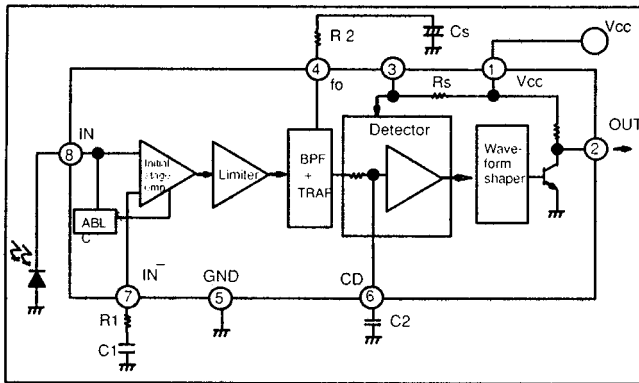
Block Diagram for Integrated Circuits



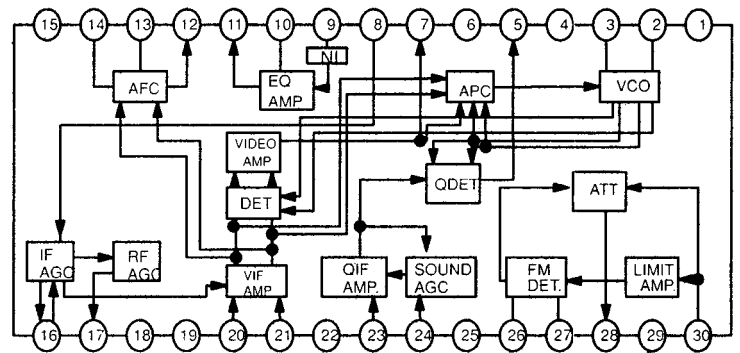
IC402 (TA 8859P)



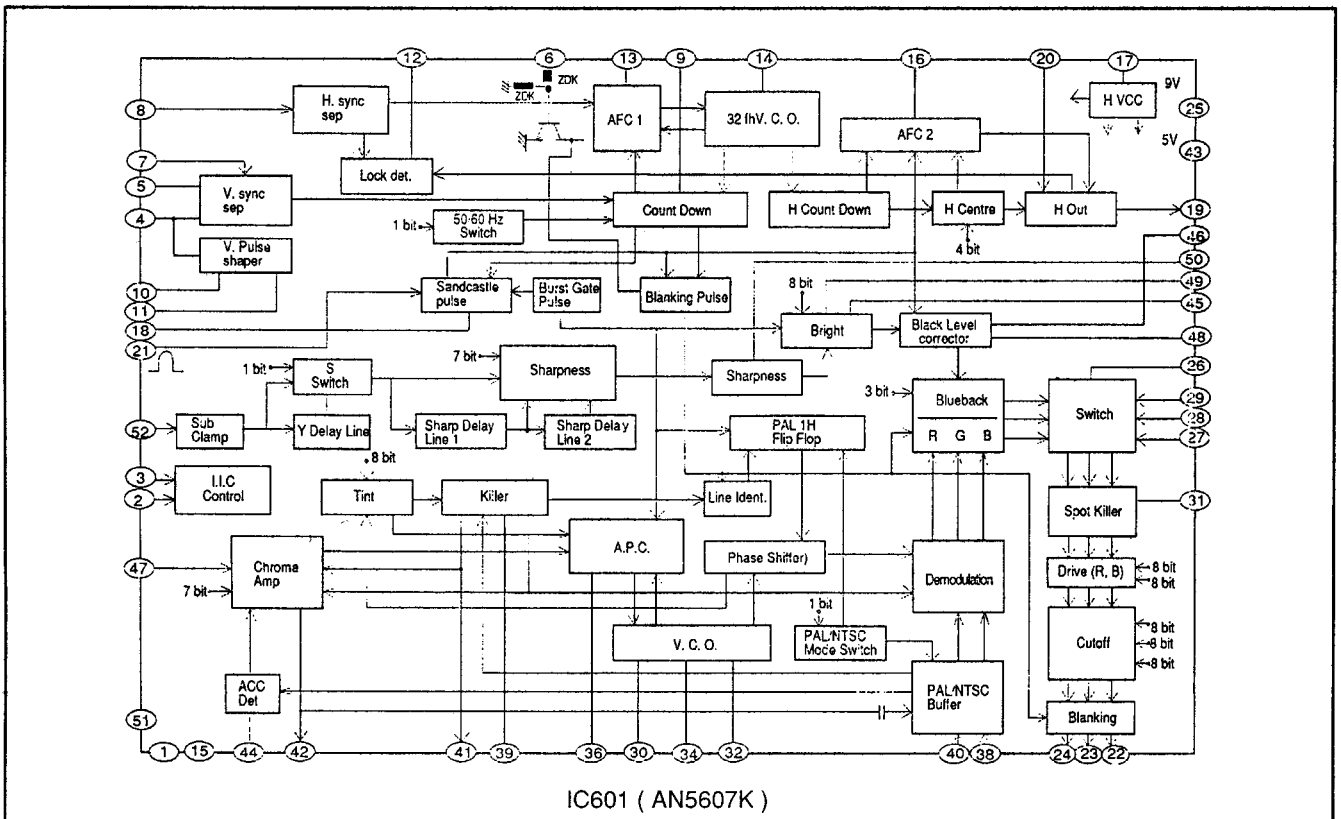
IC1103 (AN5071)



IC1201 (UPC2801AHA)

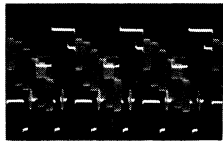


IC101 (AN5179NK)

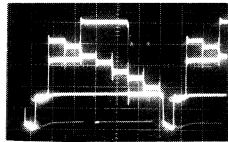


IC601 (AN5607K)

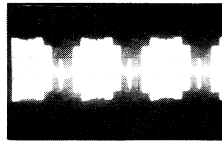
TEST POINT WAVEFORMS



1. IC101 Pin 11 (E-PCB)
Composite Video Signal
1.44V, 20 μ s / Div



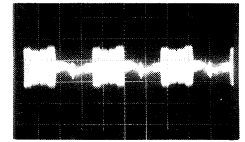
2. IC601 Pin 52 (E-PCB)
Y In
0.2V, 10 μ s / Div



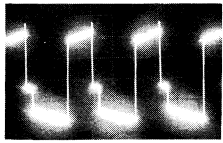
3. IC601 Pin 47 (E-PCB)
Chroma In
0.39V, 20 μ s / Div



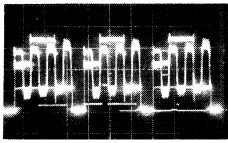
4. IC601 Pin 40 (E-PCB)
B - Y In
0.22V, 20 μ s / Div



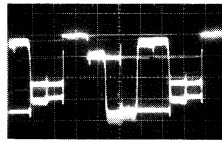
5. IC601 Pin 38 (E-PCB)
R - Y In
0.33V, 20 μ s / Div



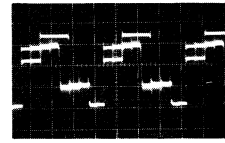
6. IC601 Pin 19 (E-PCB)
Horizontal Out
2.7V, 20 μ s / Div



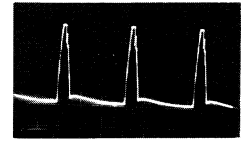
7. TP 18 (IC601 PIN 22)
(E-PCB)
5.8V, 20 μ s / Div



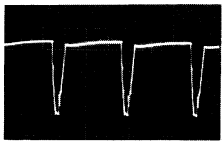
8. TP 17 (IC601 PIN 24)
(E-PCB)
5.8V, 10 μ s / Div



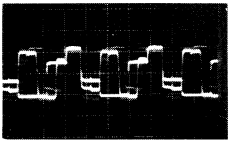
9. E-32 (E-PCB)
Green Output From Ic601 Pin 3.
(E-PCB)
5.2V, 20 μ s / Div



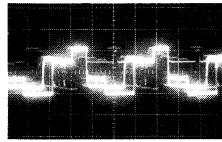
10. FBT Pin 4 (E-PCB)
220V, 20 μ s / Div



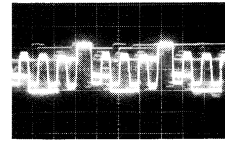
11. FBT Pin 6 (E-PCB)
210V, 20 μ s / Div



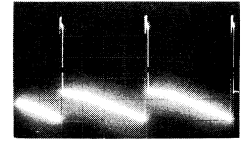
12. Q351 Collector
(Y-PCB)
160V, 20 μ s / Div



13. Q352 Collector
(Y-PCB)
148V, 20 μ s / Div



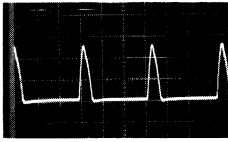
14. Q354 Collector
(Y-PCB)
160V, 20 μ s / Div



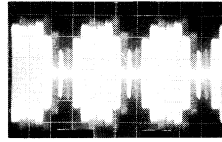
15. IC451 PIN 2 (E-PCB)
Vertical Out
52V, 5ms / Div



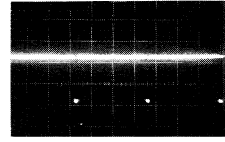
16. Q501 Base (E-PCB)
Horizontal Out.
22V, 50 μ s / Div



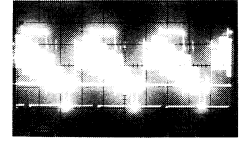
17. Q501 Collector (E-PCB)
Horizontal Out
1100V, 20 μ s / Div



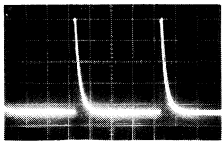
18. IC601 Pin 42 (E-PCB)
Chroma Out
1.4V, 20 μ s / Div



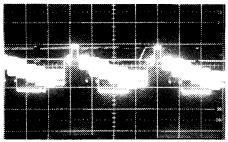
19. IC601 Pin 9 (E-PCB)
Vertical Out
4.3V, 10ms / Div



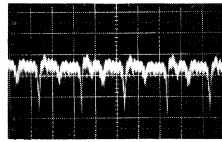
20. TPH 10 (E-PCB)
Video Output Terminal
2.2V, 10 μ s / Div



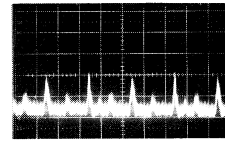
21. IC601 Pin 11 (E-PCB)
V Shaper
9.0V, 10ms / Div



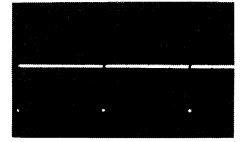
22. IC601 Pin 7 (E-PCB)
Vertical
2.4V, 10 μ s / Div



23. IC1102 Pin 31 (E-PCB)
Band 1
180mV, 2 μ s / Div



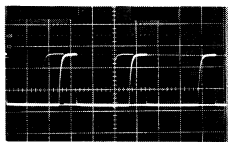
24. IC1102 Pin 24 (E-PCB)
Band 2
195mV, 0.5ms / Div



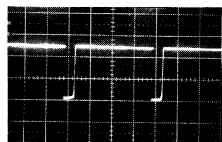
25. IC451 Pin 4 (E-PCB)
Vertical Trigger Input
8.7V, 5ms / Div



26. IC601 Pin 21 (E-PCB)
4.1V, 20 μ s / Div



27. IC601 Pin 2 (E-PCB)
Serial Clock Line
5.0V, 20 μ s / Div



28. IC601 Pin 10 (E-PCB)
50Hz - 60Hz
5.1V, 5ms / Div

TEST POINT VOLTAGES

PART	PIN	VOLTAGES	COMMENTS	PART	PIN	VOLTAGES	COMMENTS
IC1102	4	0V	AUTO, AV IN, NTSC 4.43	IC1102	19	4.9V	AUTO, AV IN, PAL
IC1102	4	0V	AUTO, AV IN, SECAM	IC1102	19	4.9V	B/W
IC1102	4	0V	AUTO, AV IN, PAL	IC1102	23	4.8V	AUTO, AV IN, NTSC 4.43
IC1102	4	0V	B/W	IC1102	23	0V	AUTO, AV IN, SECAM
IC1102	17	4.7V	AUTO, AV IN, NTSC 4.43	IC1102	23	4.8V	AUTO, AV IN, PAL
IC1102	17	4.4V	AUTO, AV IN, SECAM	IC1102	23	4.8V	B/W
IC1102	17	4.4V	AUTO, AV IN, PAL	IC1102	51	4.9V	AUTO, AV IN, NTSC 4.43
IC1102	17	4.4V	B/W	IC1102	51	0.1V	AUTO, AV IN, SECAM
IC1102	19	4.9V	AUTO, AV IN, NTSC 4.43	IC1102	51	4.9V	AUTO, AV IN, PAL
IC1102	19	4.9V	AUTO, AV IN, SECAM	IC1102	51	4.9V	B/W

Remote Control EUR641952

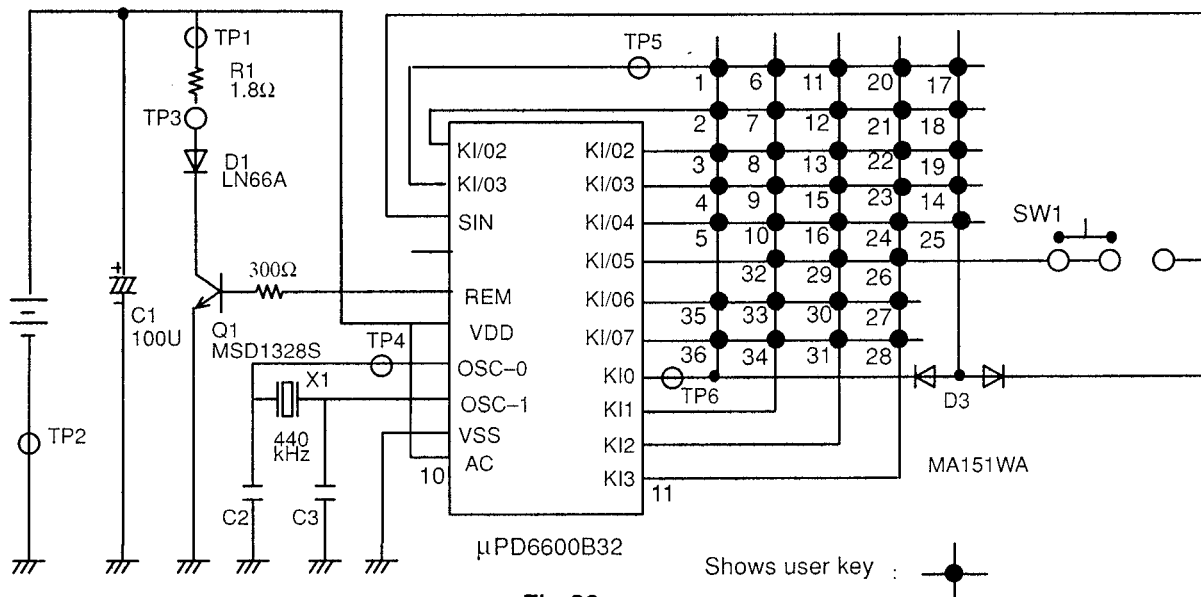
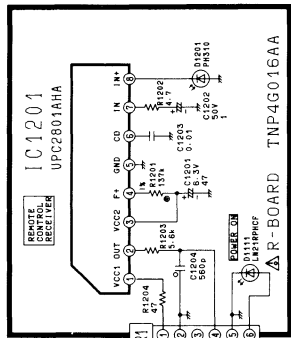
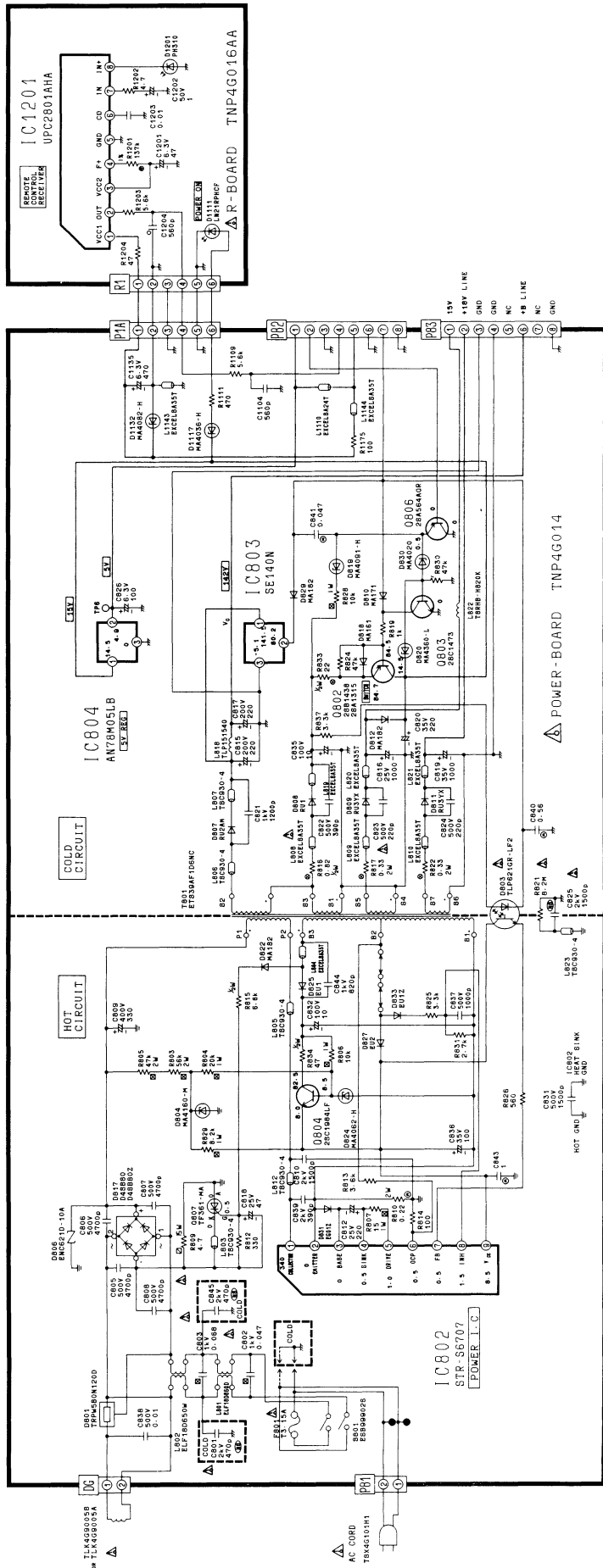
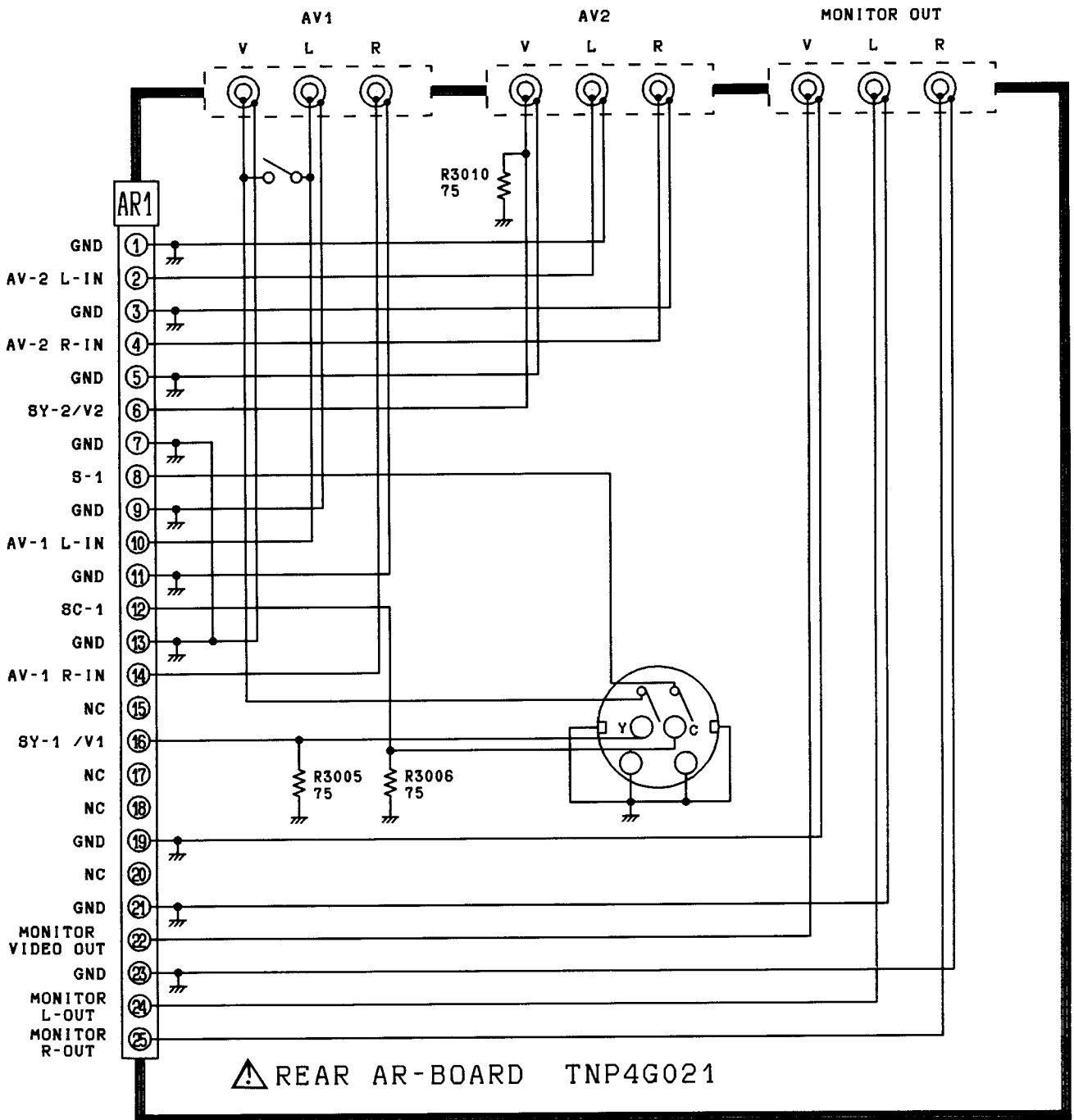


Fig.26

* Parts listed here are not suppliable.

KEY NO.	FUNCTION	DATA CODE	KEY NO.	FUNCTION	DATA CODE	
					ON	OFF
1	POWER	3D	22	CH UP	34	
2	TV/AV	05	23	CH DOWN	35	
3	CH 1	10	24	SURROUND	31	
4	CH 2	11	26	(VTR) POWER	20	3D
5	CH 3	12	27	(VTR) CH UP	22	34
6	CH 4	13	28	(VTR) CH DOWN	23	35
7	CH 5	14	29	(VTR) PLAY	0A	
8	CH 6	15	30	(VTR) STOP	00	
9	CH 7	16	31	(VTR) F.F	03	
10	CH 8	17	32	(VTR) REW	02	
11	CH 9	18	33	(VTR) PAUSE	06	
12	CH 10/0	19	34	(VTR) F.ADV	0C	
13	-/-	3B	35	(VTR) REC	08	
14	OFFTIMER	0F	36	(VTR) REC		
15	MUTE	32				
16	RECALL	39				
17	NORMAL	0C				
18	FUNCTION	06				
19	SOUND FUNC.	07				
20	VOL UP	20				
21	VOL DOWN	21				





⚠ REAR AR-BOARD TNP4G021

