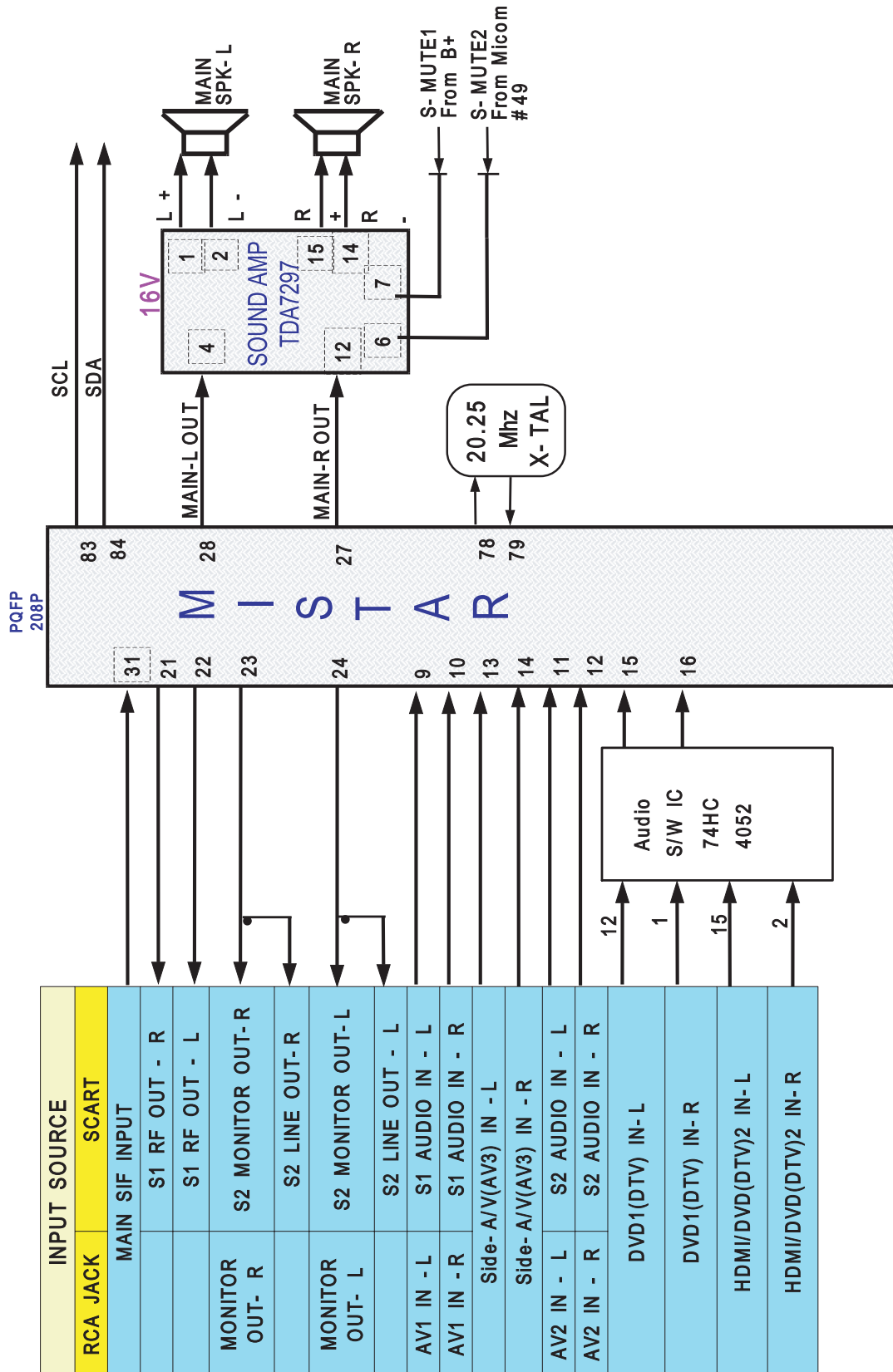
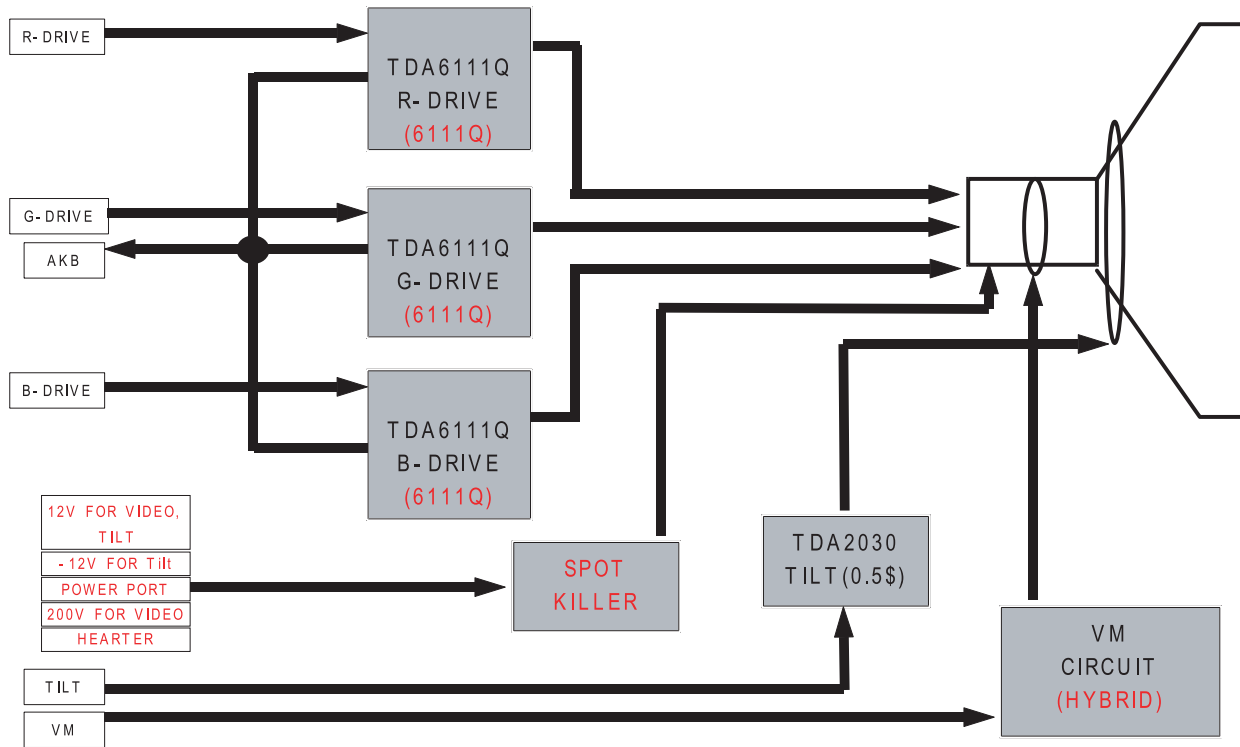


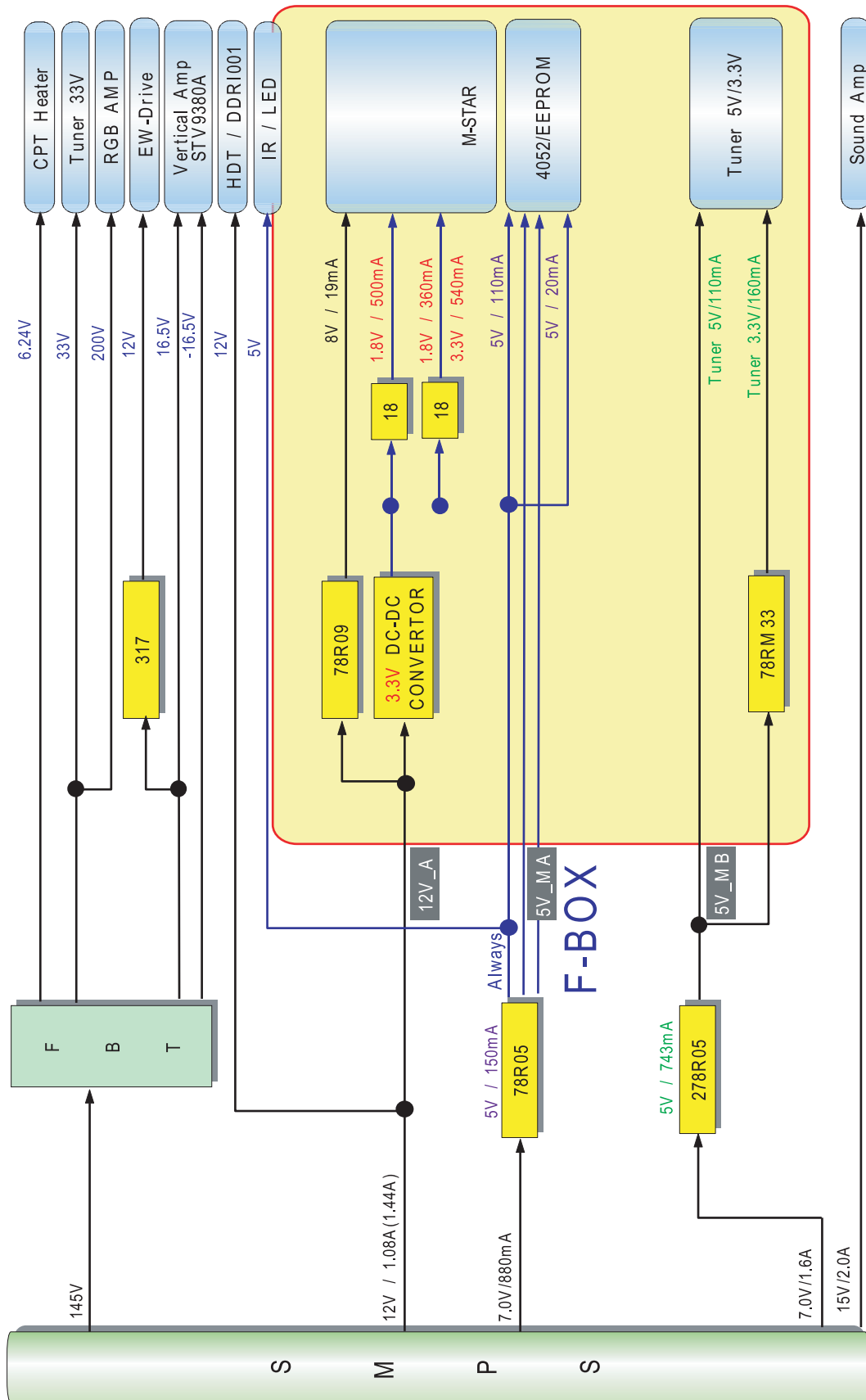
2. Sound Block Diagram



3. CRT Diagram



7-1-3 Power Current Block Diagram



7-2 Schematic Diagram

7-2-1 Main 1

This Document can not be used without Samsung's authorization.

—	Power
—	Video
—	Audio

