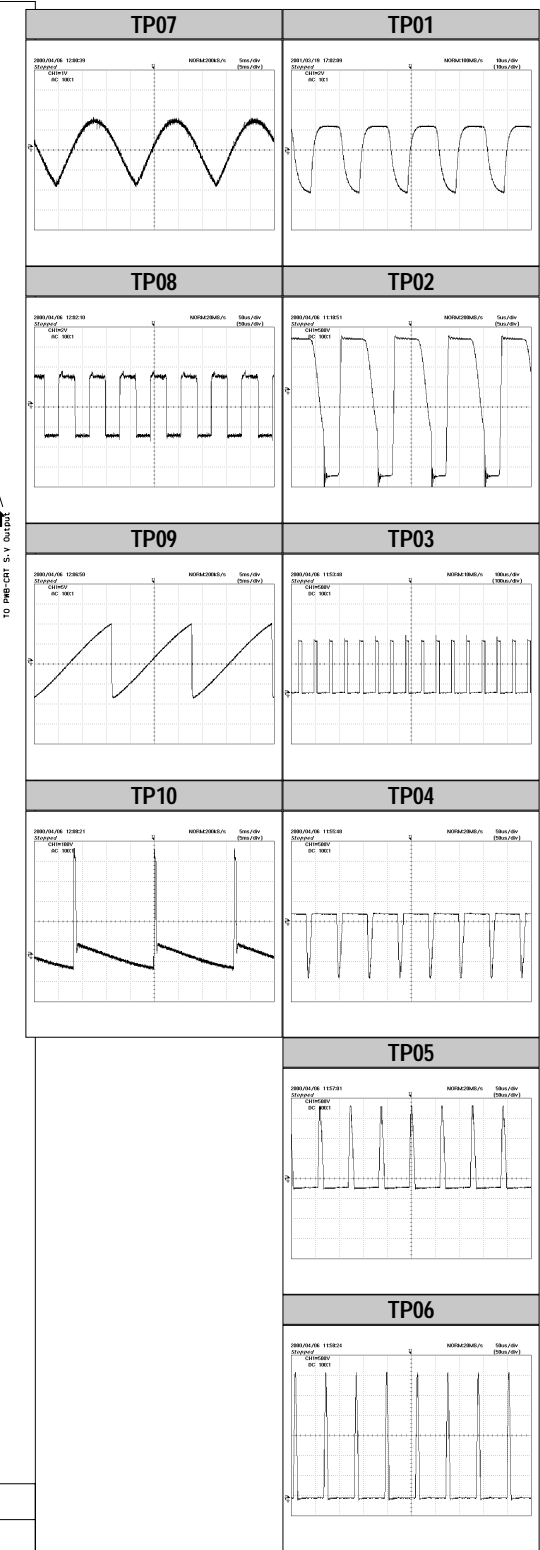
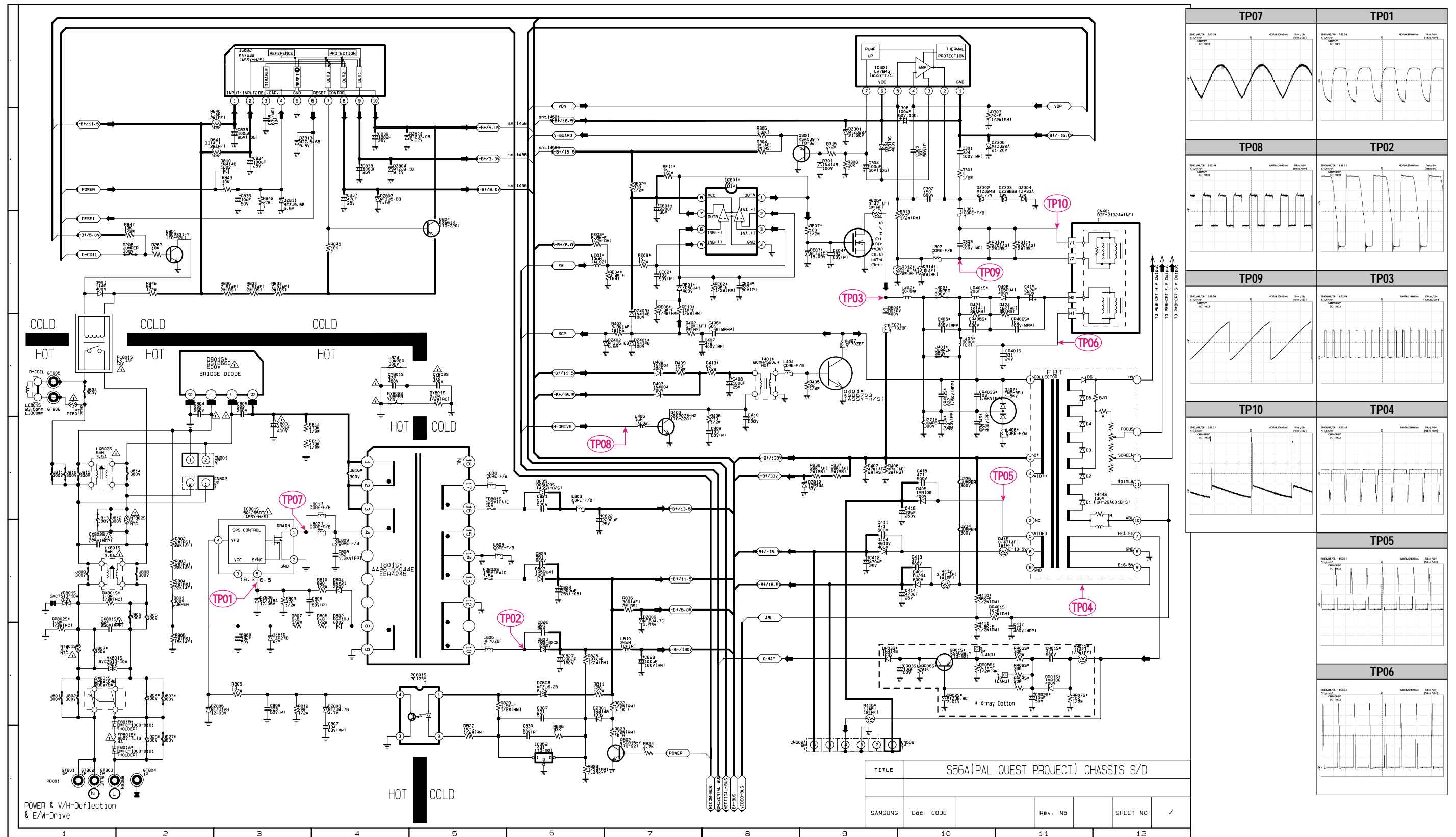


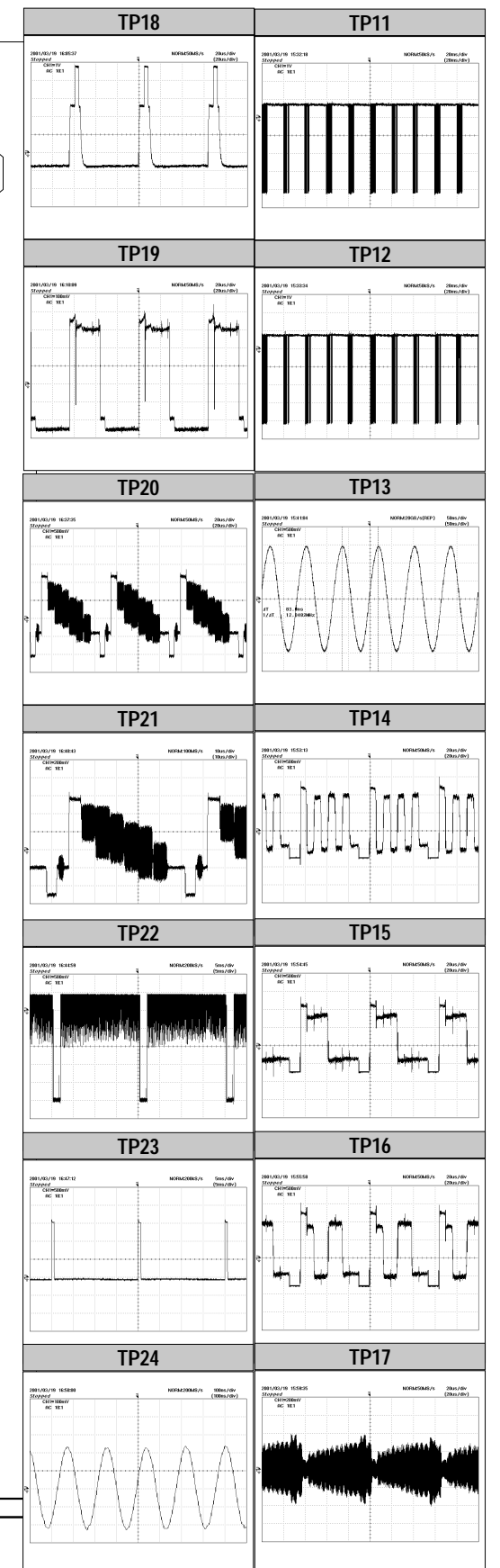
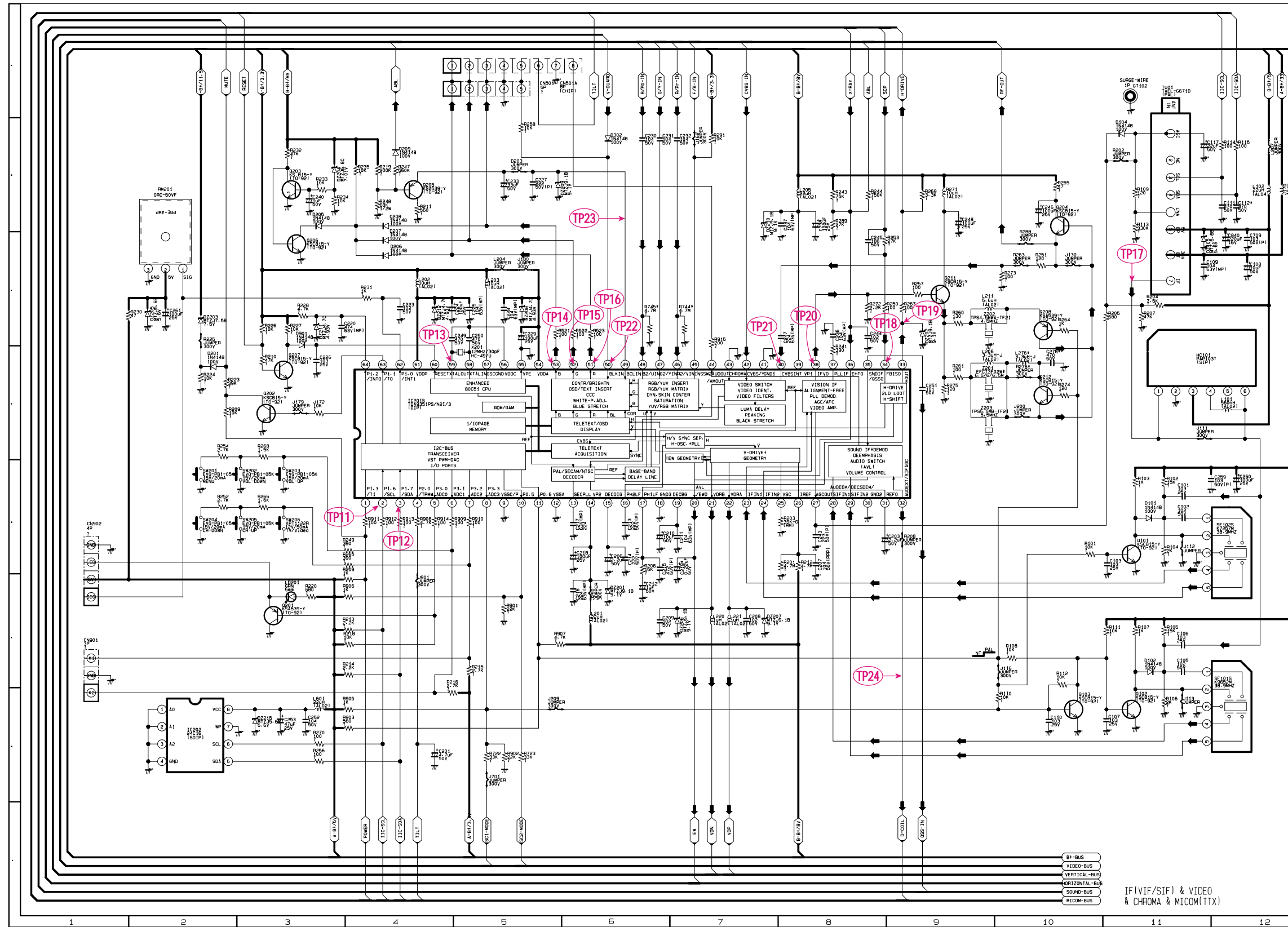
<http://monitor.espec.ws>

# 10. Schematic Diagrams

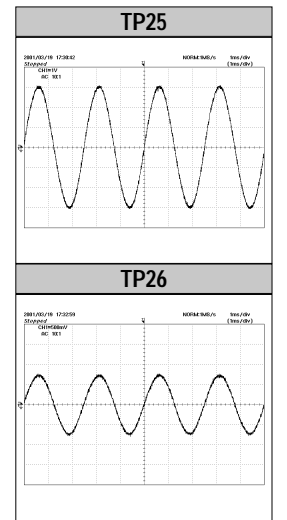
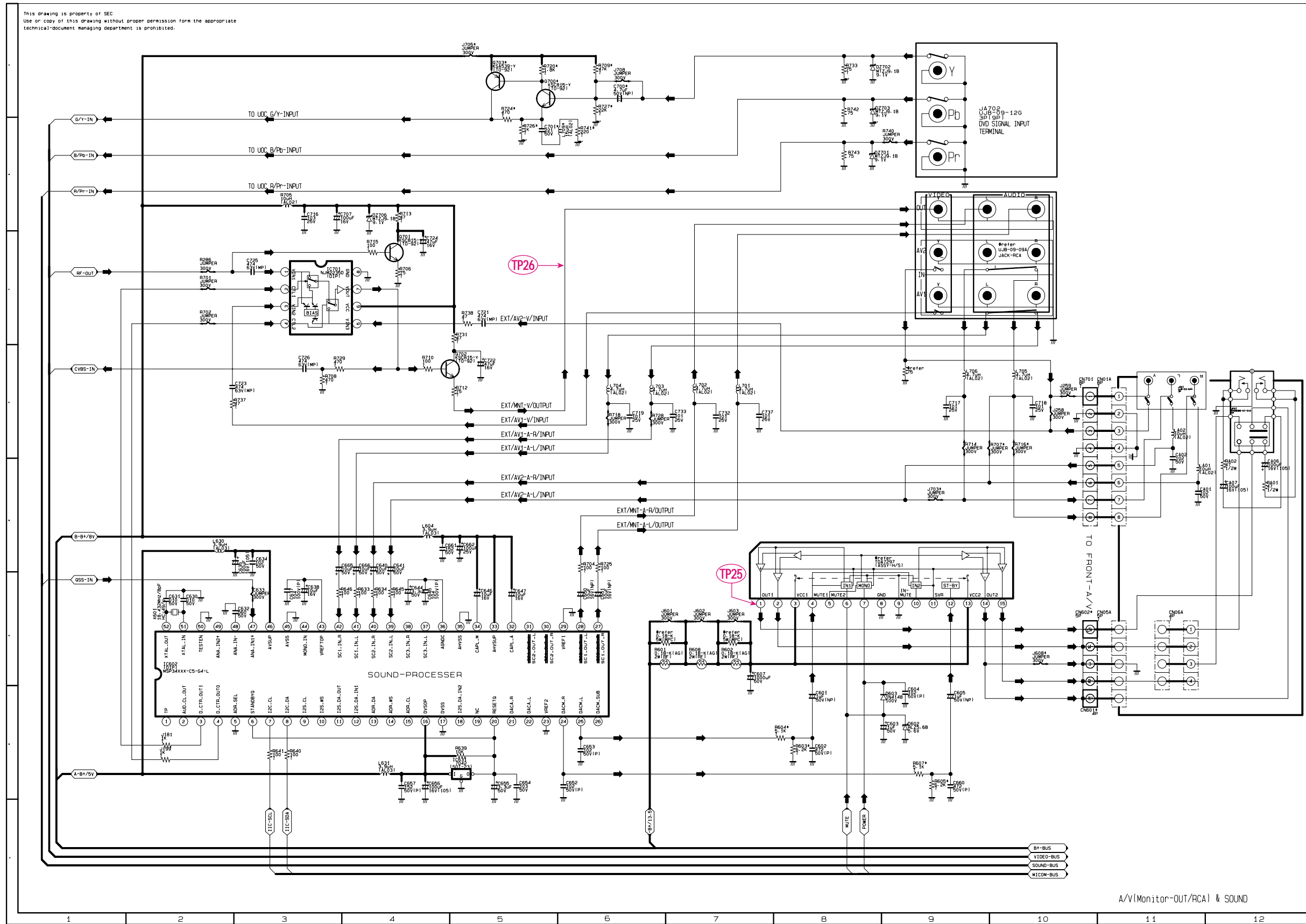
## 10-1 MAIN 1



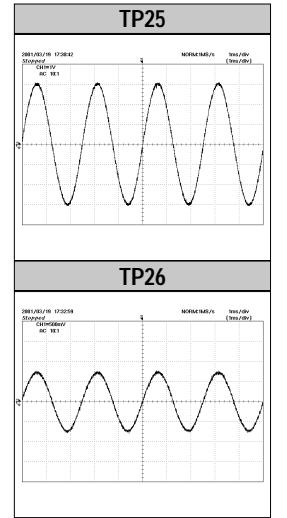
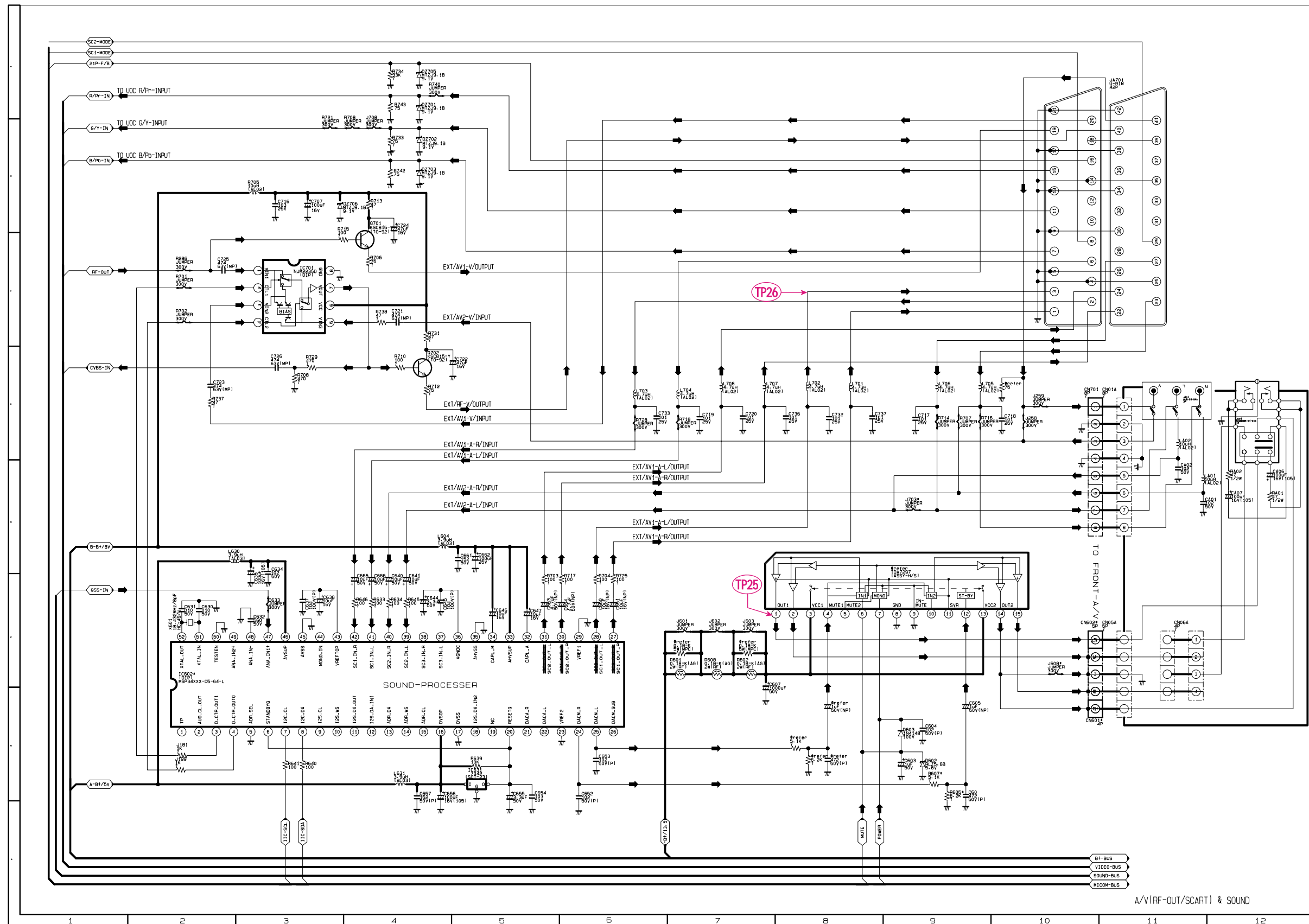
10-2 MAIN 2



10-3 MAIN 3



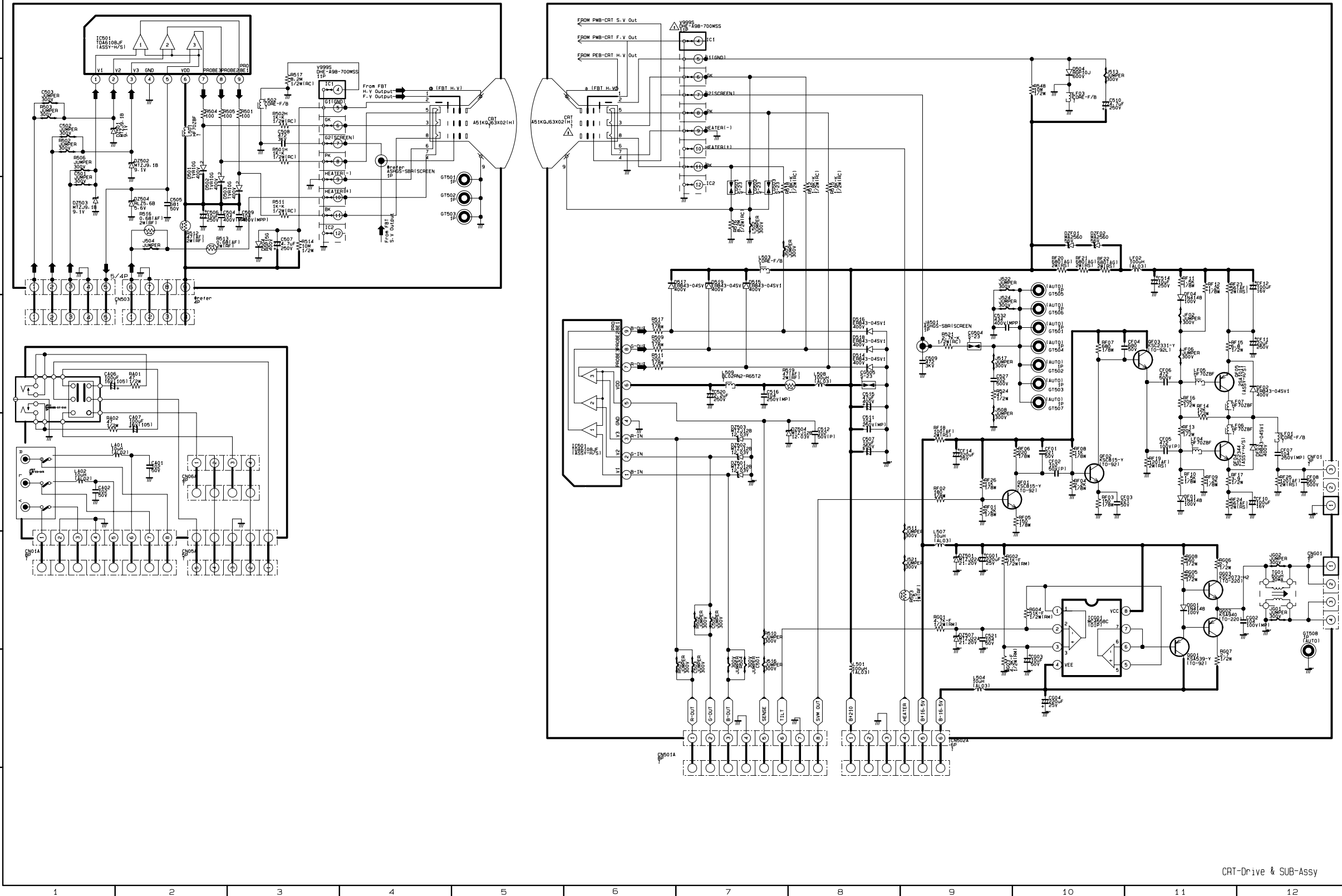
10-4 MAIN 4



A/V(RF-OUT/SCART) & SOUND

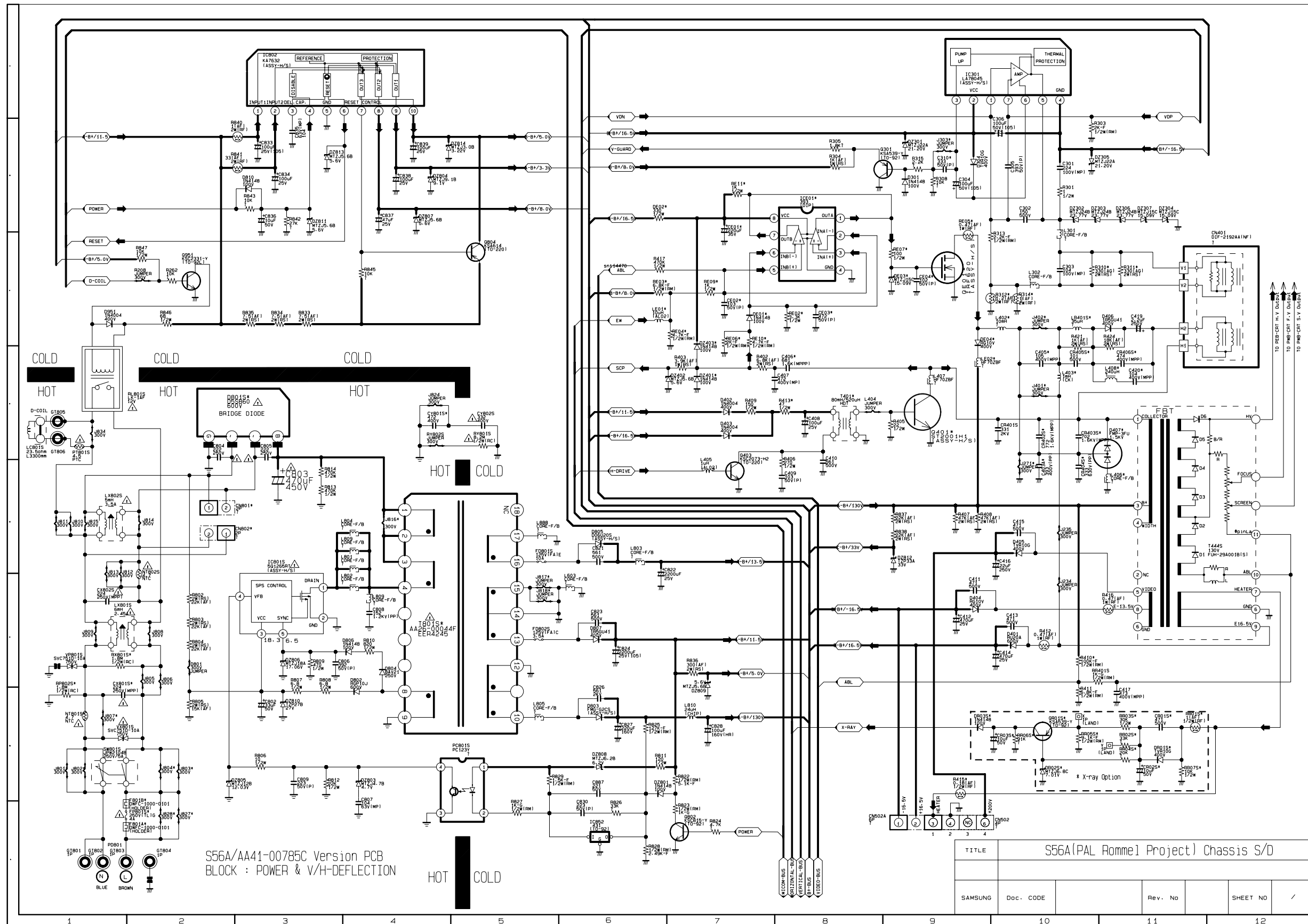
10-5 MAIN 5

This drawing is property of SEC  
 Use or copy of this drawing without proper permission from the appropriate  
 technical-document managing department is prohibited.



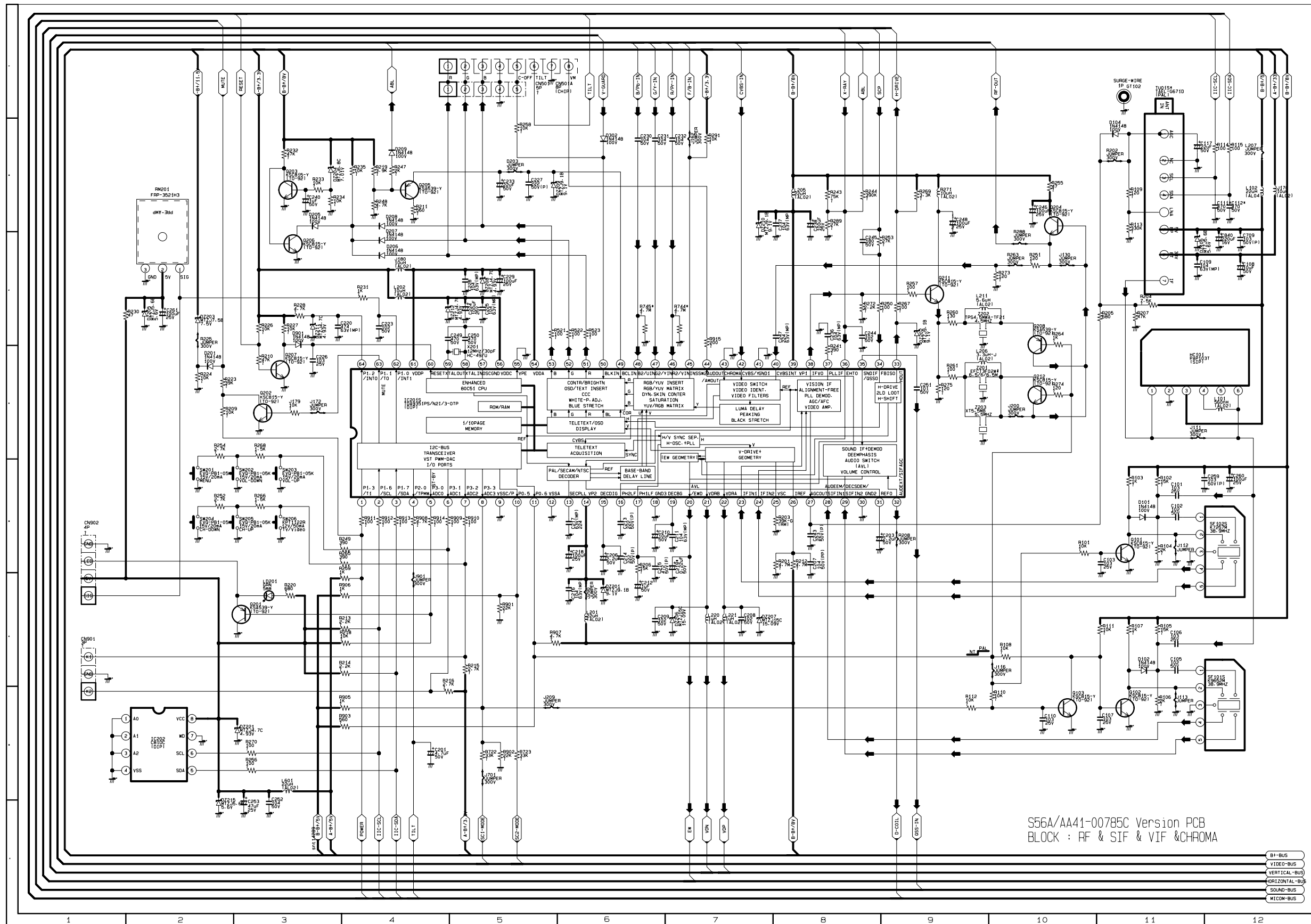
CRT-Drive & SUB-Assy

10-6 MAIN 1(AA41-00785C/29" FLAT)





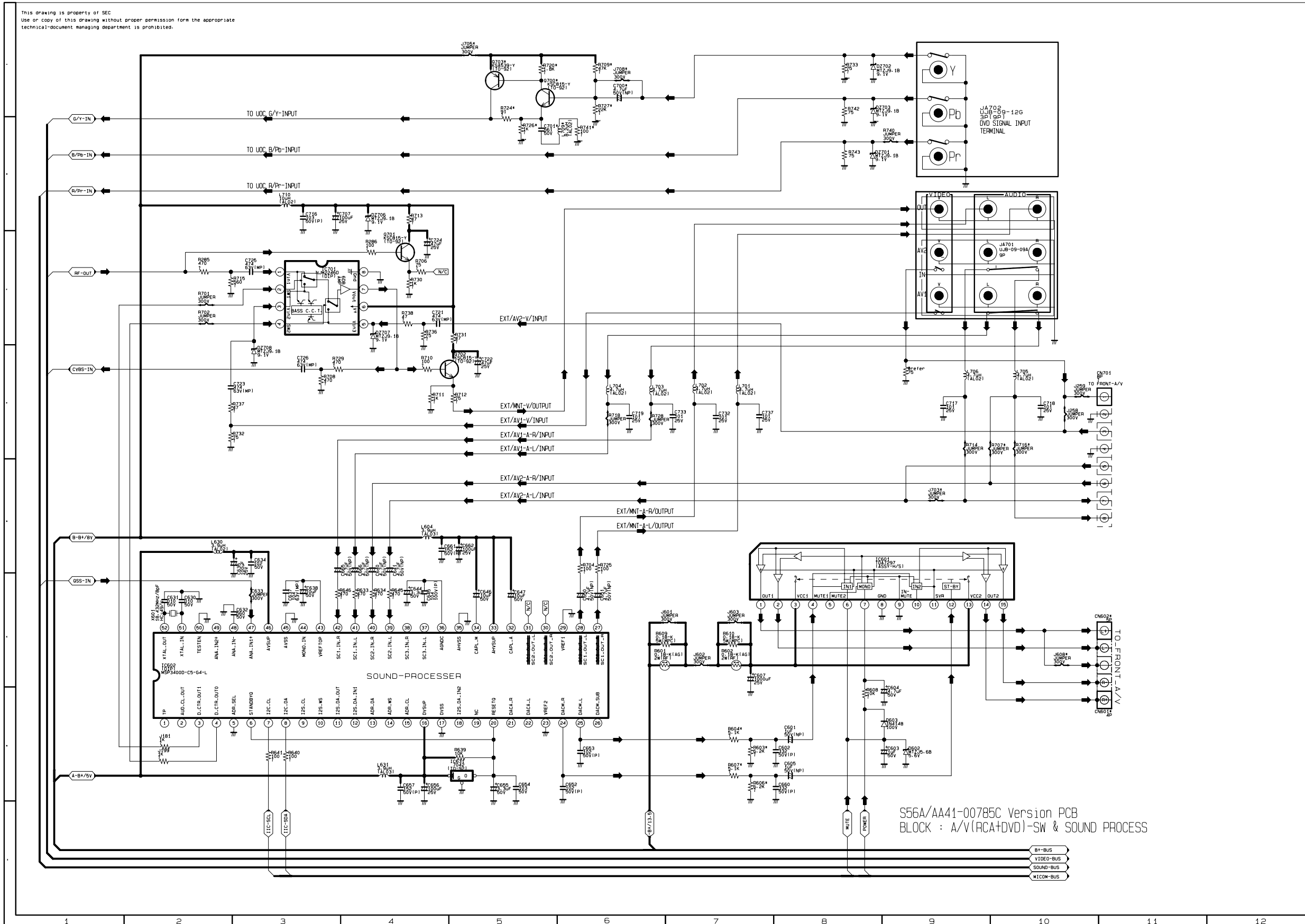
10-7 MAIN 2(AA41-00785C/29"FLAT)



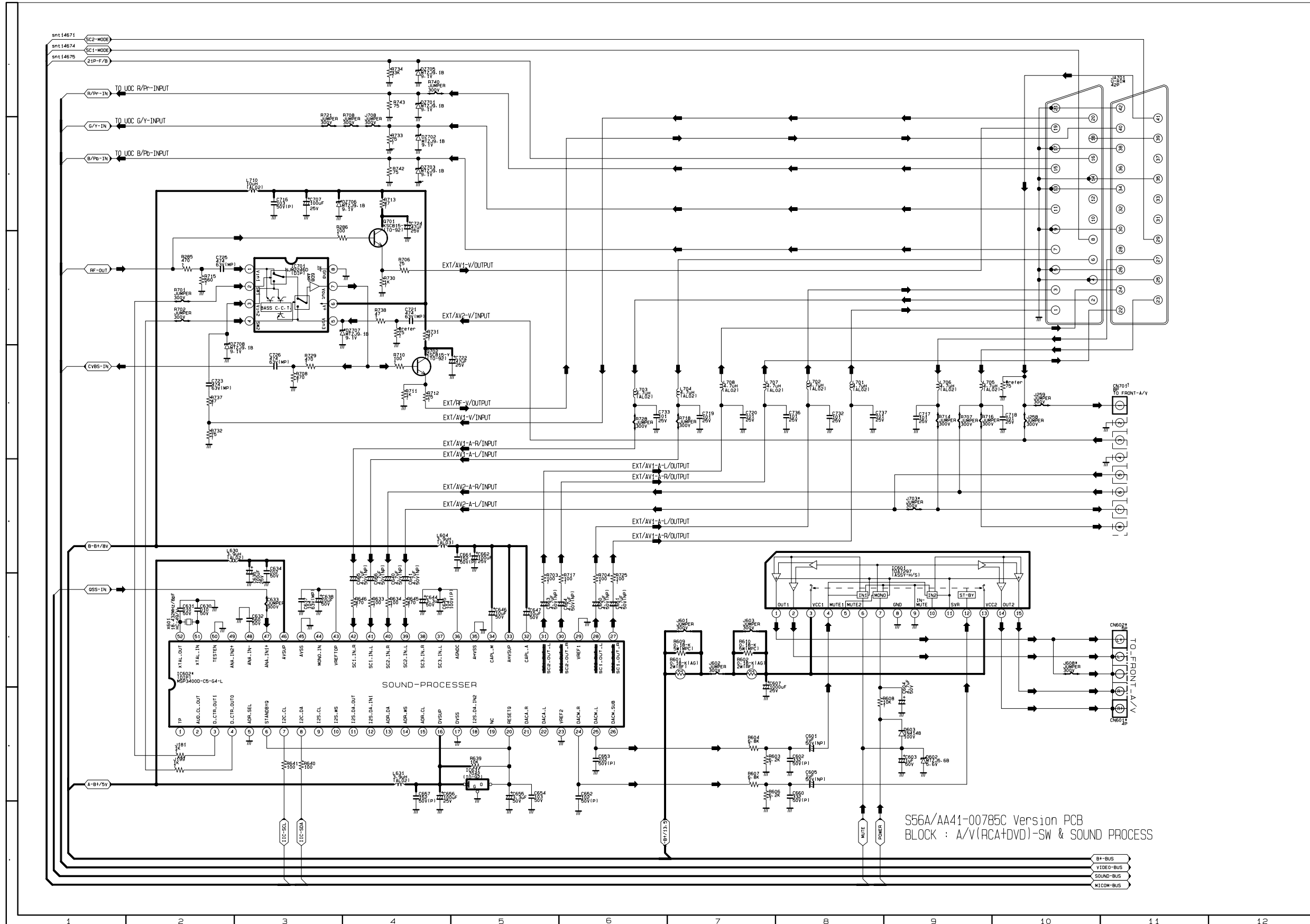
S56A/AA41-00785C Version PCB  
BLOCK : RF & SIF & VIF & CHROMA



10-8 MAIN 3(AA41-00785C/29" FLAT)

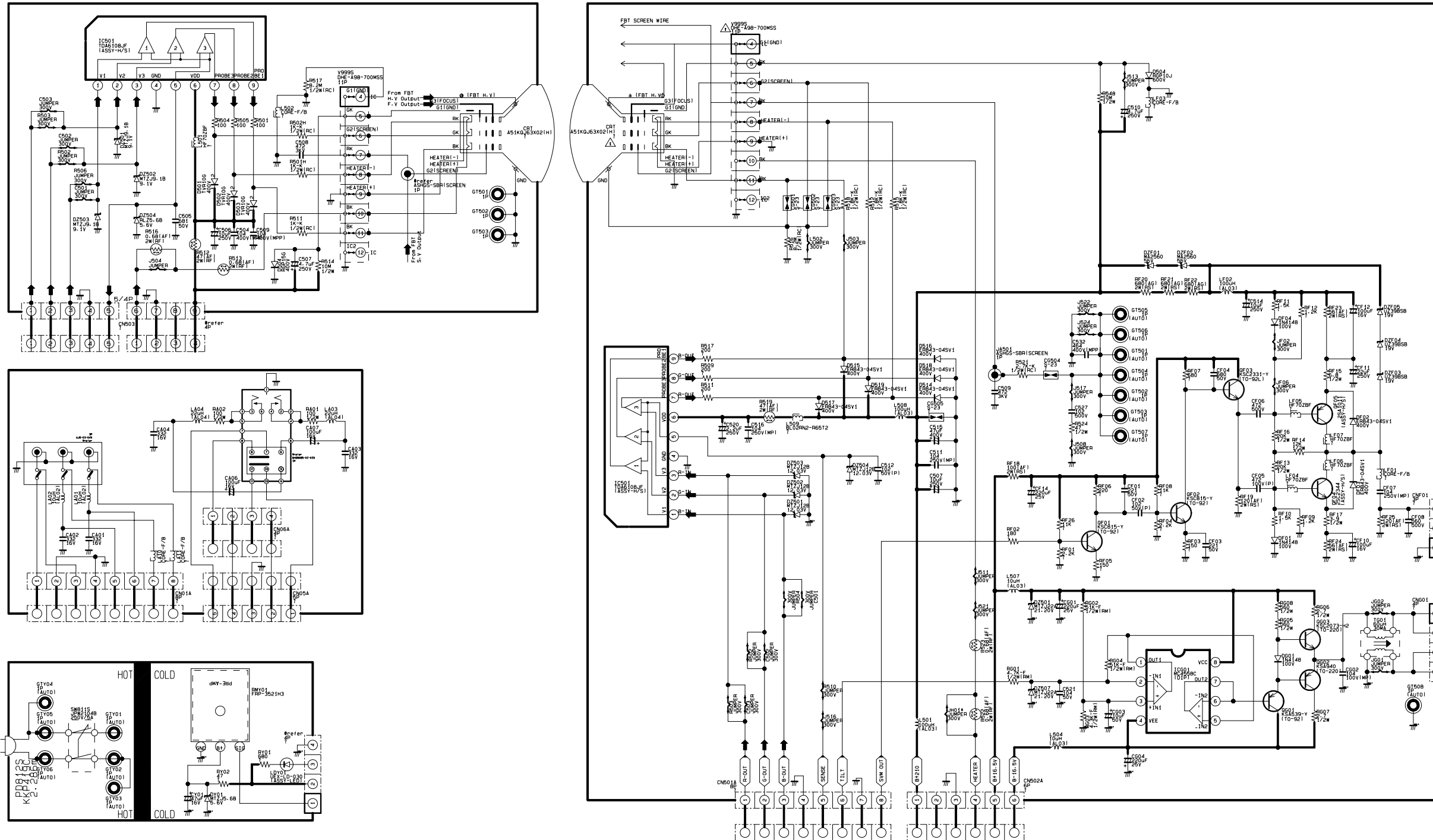


10-9 MAIN 4(AA41-00785C/29"FLAT)



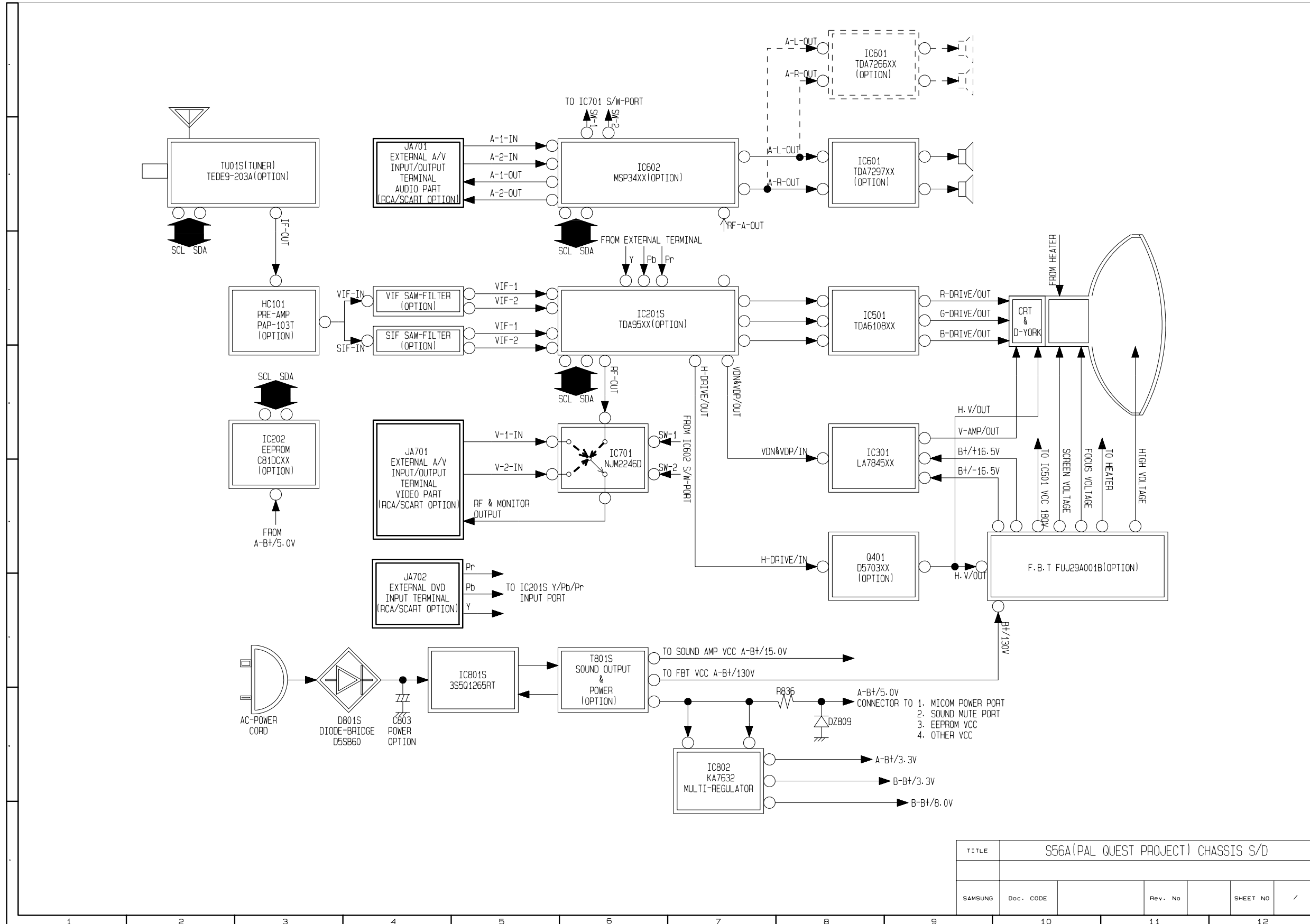
# 10-10 MAIN 5(AA41-00785C/29" FLAT)

This drawing is property of SEC  
Use or copy of this drawing without proper permission from the appropriate  
technical-document managing department is prohibited.



S56A/AA41-00785C Version PCB  
BLOCK : CRT-DRIVE

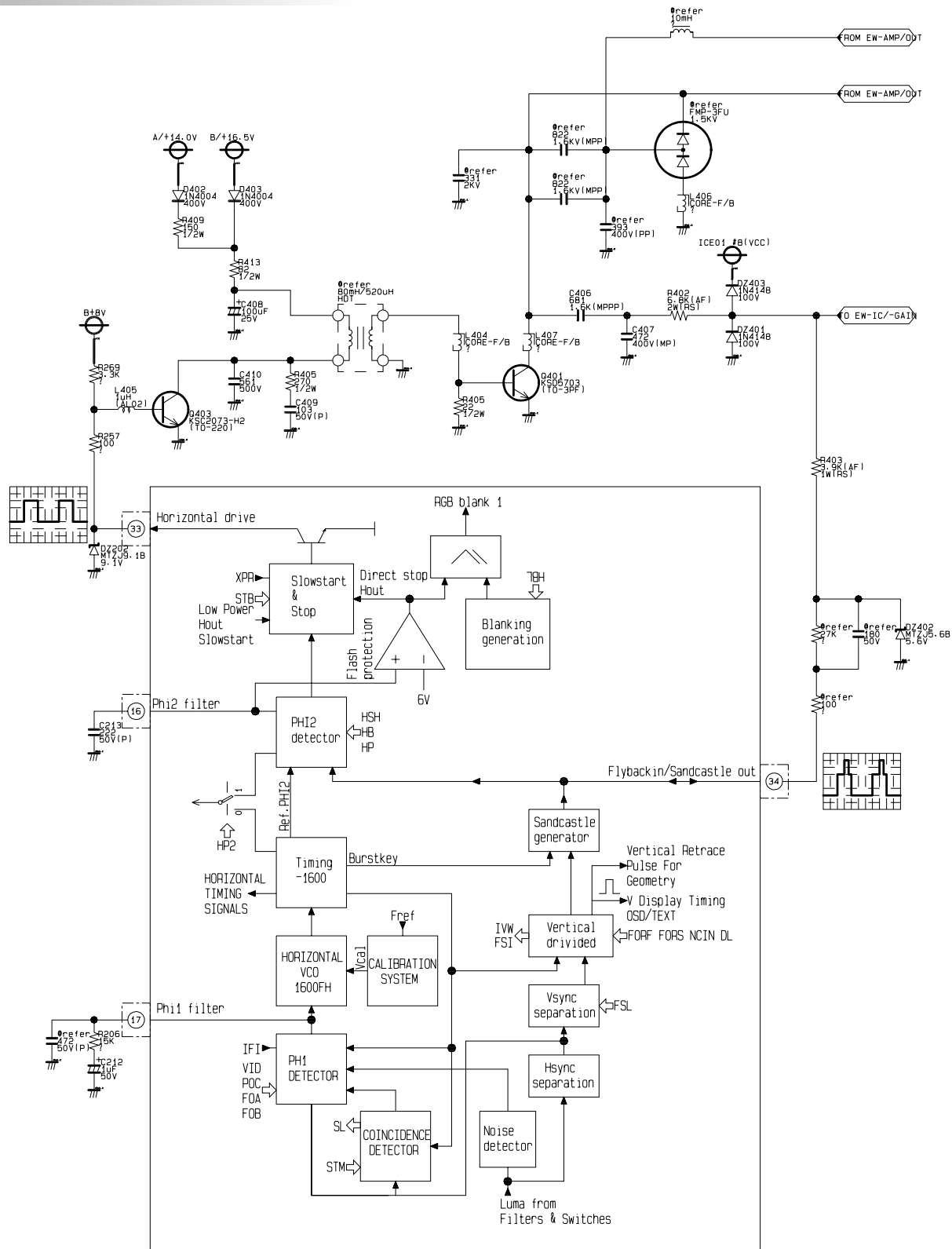
10-11 MAIN 6(AA41-00785C/29"FLAT)



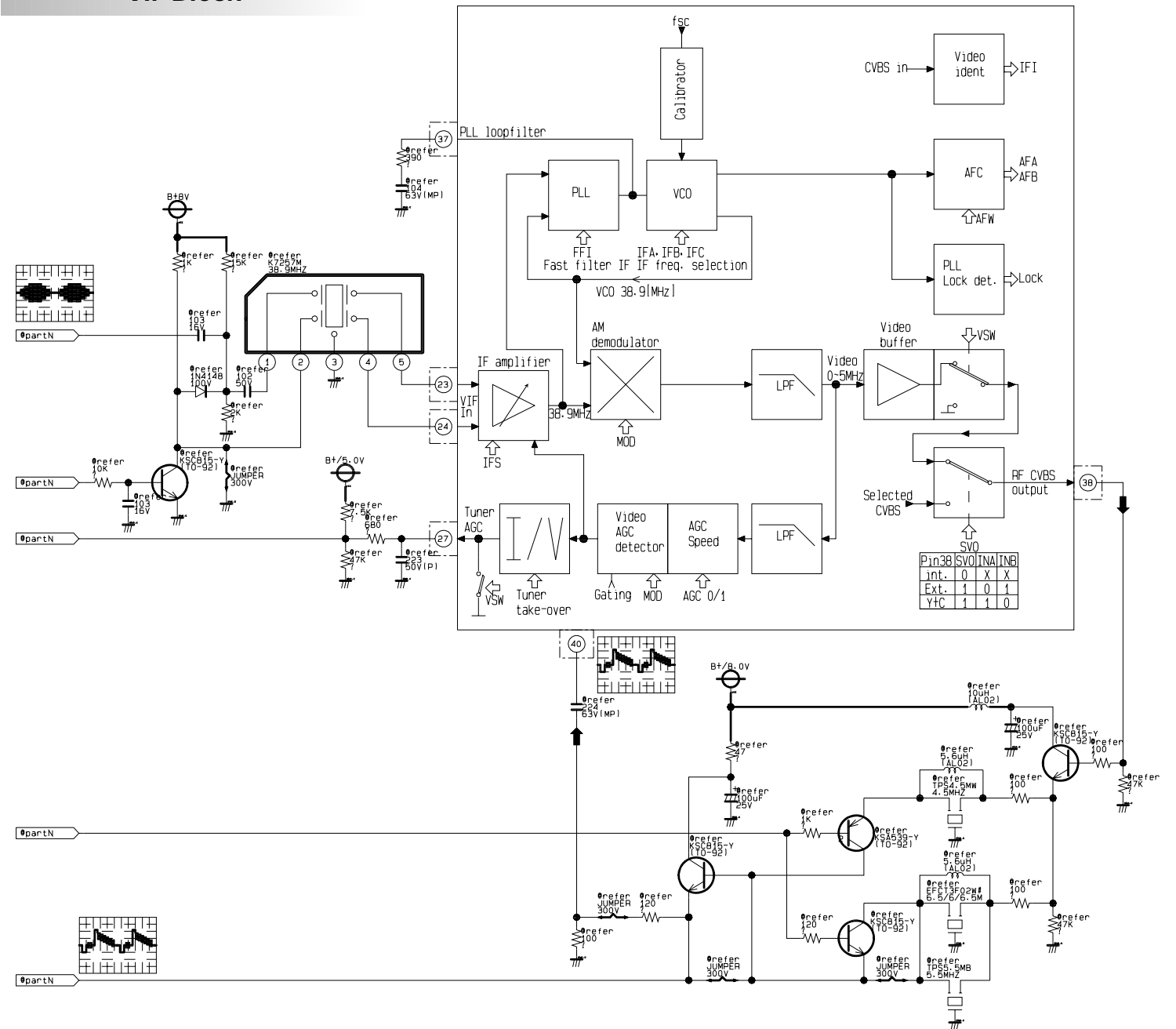
TITLE						S56A(PAL QUEST PROJECT) CHASSIS S/D					
SAMSUNG						Doc. CODE					
Rev. No						SHEET NO					

# 10-12 HORIZONTAL BLOCK, VIF BLOCK

## Horizontal Block

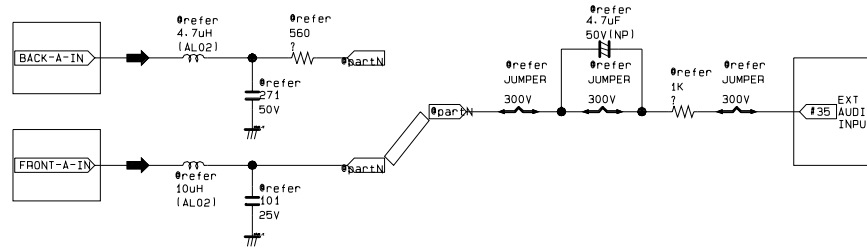


## VIF Block

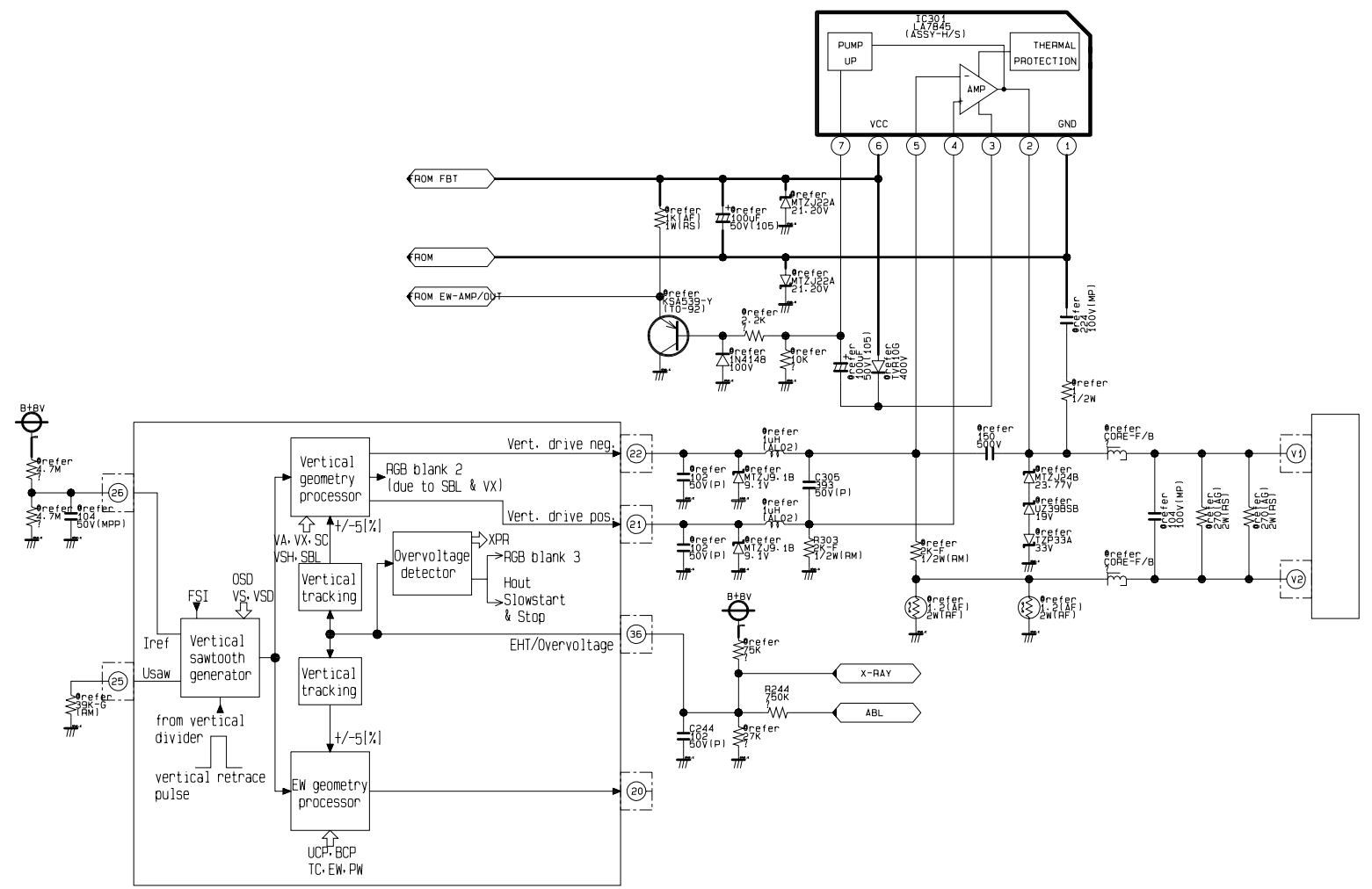


## 10-12 AUDIO SWITCHING, SYSTEM SWITCHING, SIF BLOCK

### Audio Switching



### SIF Block



### System Switching

