



**LG**

website:<http://biz.LGservice.com>  
e-mail:<http://www.LGservice.com/techsup.html>

# TELEVISOR A COLORES

## MANUAL DE SERVICIO

CHASIS : MC-059A

**MODELO : 21FX4RG**

**21FX4RG-LD**

**21FX4R/RB**

**21FX4R/RB-LD**

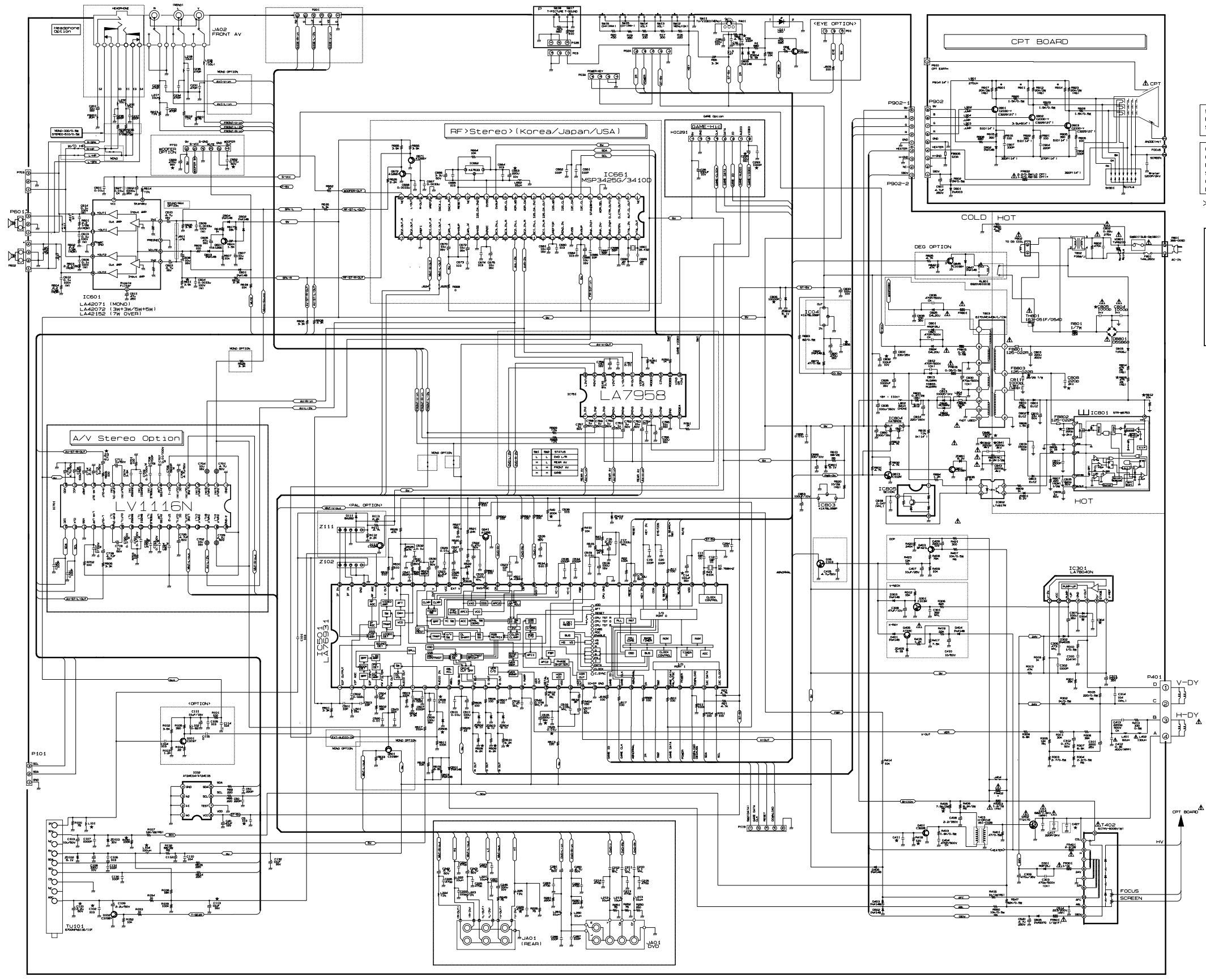
### ATENCIÓN

Antes de dar servicio al chasis, lea las PRECAUCIONES DE SEGURIDAD en este manual.



# < MC-059A SCHEMATIC DIAGRAM >

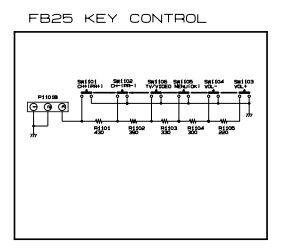
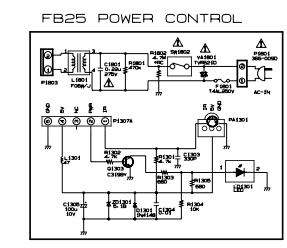
VERSION 5.1 2005.03.03 MADE BY LEE.D.Y



WARNING BEFORE SERVICING THIS CHASSIS-READ 'X-RAY RADIATION PRECAUTION', 'SAFETY PRECAUTION' AND PRODUCT SAFETY NOTICE IN THIS MANUAL.

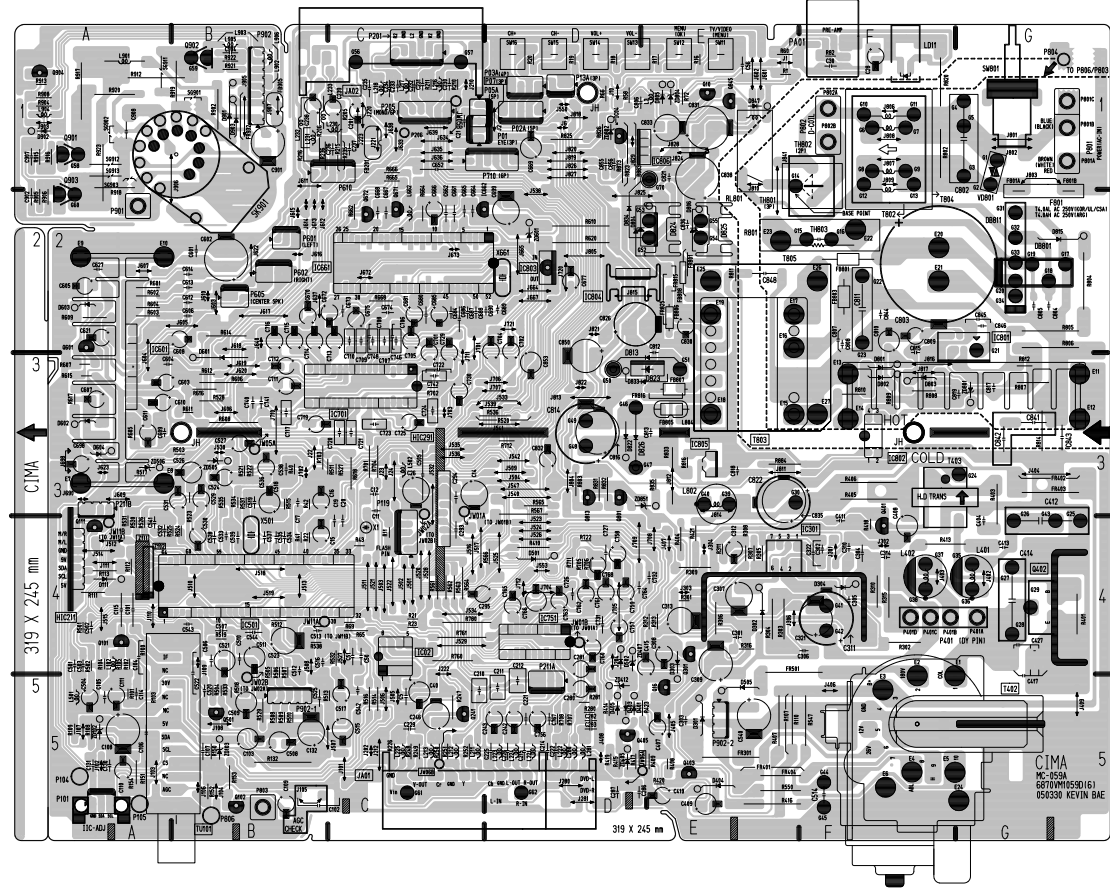
CAUTION: THE MARKS IN THE SCHEMATIC DIAGRAM AND THE PARTS LIST DESIGNATE COMPONENTS WHICH HAVE SPECIAL CHARACTERISTICS FOR SAFETY, AND SHOULD BE REPLACED ONLY WITH TYPES IDENTICAL TO THOSE IN THE ORIGINAL CIRCUIT OR SPECIFIED IN THE PARTS LIST. BEFORE REPLACING ANY OF THESE COMPONENTS-READ CAREFULLY THE PRODUCT SAFETY NOTICE IN THIS MANUAL. DO NOT DEGRADE THE SAFETY OF THE RECEIVER THROUGH IMPROPER SERVICING.

\* : OPTION



## TABLERO DE CIRCUITO IMPRESO

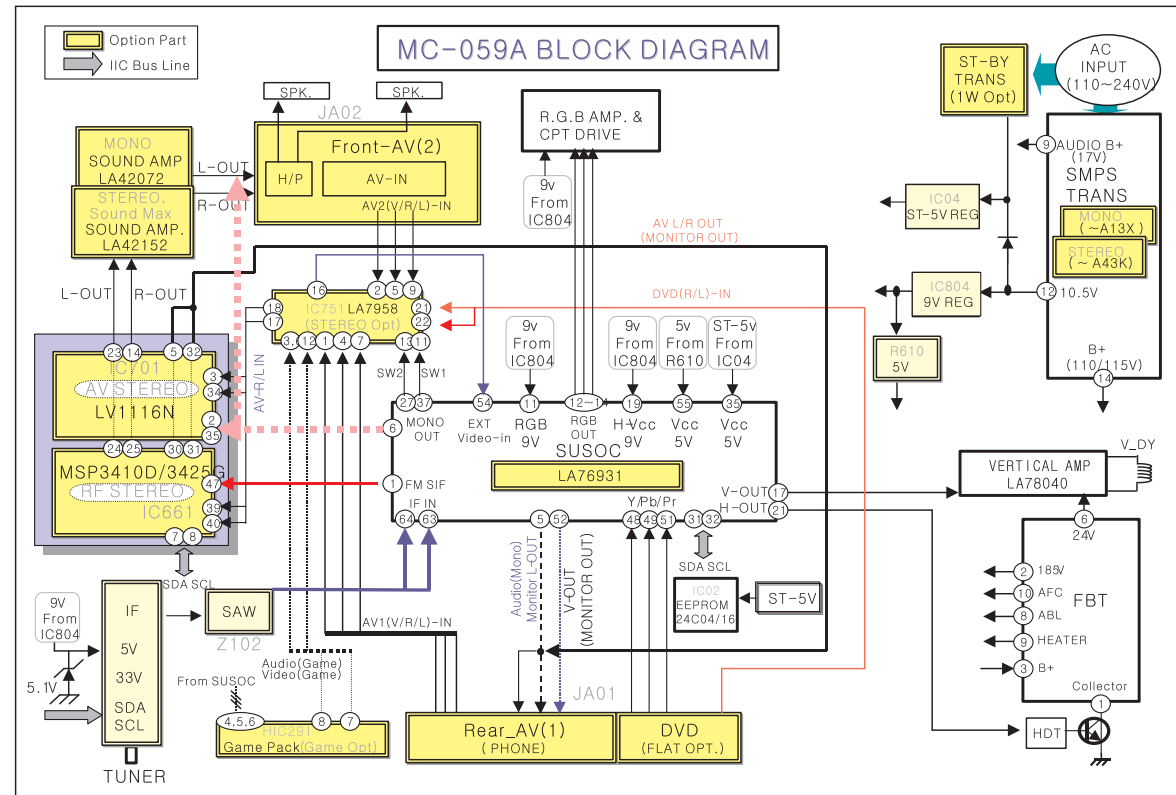
MAIN & CPT



## GUÍA PARA UBICAR LOS COMPONENTES

C5.....C5	C281...D4	C523...B4	C887...C2	C807...F3	D804...E2	L3.....E1	P801B_G1	R109...A5	R419...D5	R608...B3	R906...A2
C11...C4	C282...D5	C524...B3	C888...C2	C808...F3	D805...E1	L102...A4	P801C_G1	R110...E5	R420...E5	R609...A2	R908...A1
C12...C3	C283...D5	C525...B5	C889...D2	C809...F2	D806...E2	L211...C5	P802A_F1	R111...A4	R421...E4	R610...D2	R912...A1
C14...C3	C286...D5	C526...B3	C890...D2	C810...F2	D813...D3	L212...C5	P802B_F1	R112...A4	R423...E5	R611...B3	R913...A1
C15...B4	C287...D5	C527...B3	C898...A3	C811...F3	D815...G2	L213...C5	P902-1_B5	R113...A4	R501...A4	R612...B3	R915...A1
C16...B3	C293...C4	C528...B4	C899...D2	C812...E3	D822...D3	L216...C1	P902-2_E5	R132...B5	R502...A5	R614...B2	R916...A1
C17...B4	C294...C3	C529...B3	C701...C3	C813...E3	D823...E3	L217...C1	PA01...F1	R150...B5	R503...A3	R615...A3	R917...A1
C19...C4	C295...C4	C530...B4	C702...D3	C814...D3	D824...E2	L218...C1	Q10...E1	R151...A5	R504...B5	R616...B3	R918...A2
C20...C4	C301...E4	C531...B3	C704...D3	C815...F3	D825...E2	L221...D5	Q16...E1	R152...B5	R505...A4	R617...B3	R919...B1
C21...C1	C302...F4	C532...A4	C705...C2	C816...D3	D826...D3	L222...D5	Q101...A4	R153...B5	R506...B5	R618...C3	R920...A1
C26...C3	C303...E5	C533...B4	C706...C3	C817...G3	D833...D3	L223...D5	Q102...B5	R154...A5	R507...B5	R620...D2	R921...B1
C28...F1	C304...F4	C534...B3	C707...C3	C818...E3	D834...E2	L224...D5	Q111...A4	R205...C1	R508...B5	R662...C2	R922...B1
C30...F1	C305...F4	C535...B4	C708...C3	C819...G3	D847...E1	L225...C5	Q241...C5	R206...B1	R509...B5	R664...C2	R923...A2
C40...C5	C306...E4	C536...B3	C709...C3	C821...E2	D901...B1	L230...B1	Q301...C1	R210...C1	R510...B5	R665...C2	RL801...E1
C50...C4	C307...E4	C537...B4	C710...C3	C822...E3	D902...A1	L231...B1	Q401...F4	R211...C1	R511...C3	R666...C1	SG901...B1
C51...C4	C308...E4	C538...B3	C711...B3	C826...E2	D902...B1	L232...B1	Q402...G4	R215...C1	R512...B4	R668...C2	SG902...A1
C56...E1	C309...E4	C539...B4	C712...B3	C830...E2	D9801_G2	L233...B1	Q403...E5	R216...B1	R513...C5	R701...C3	SG903_A2
C101...A4	C310...F4	C540...E5	C713...C2	C831...E1	D8811_G2	L280...D5	Q405...D5	R226...C5	R514...C5	R702...C3	SG911_A1
C102...B5	C311...F4	C541...A4	C714...B2	C832...D3	F801A_G2	L281...D5	Q501...B5	R235...C1	R515...B4	R703...B3	SG912_A1
C103...B5	C312...E4	C542...C5	C715...B2	C833...E1	F801B_G2	L401...G4	Q601...A3	R236...B1	R516...C5	R704...C3	SG913_A2
C104...A4	C313...E4	C543...B3	C716...B2	C835...E3	F8201_C1	L402...F4	Q671...C2	R247...C5	R517...A5	R705...D4	SK901...B1
C105...A5	C314...F4	C544...B3	C717...B3	C836...E2	F8801_F2	L501...A5	Q672...C2	R248...C5	R518...B5	R706...D4	SW11...E1
C106...A5	C321...F4	C601...B2	C718...B3	C838...E1	F8803_F2	L502...C3	Q801...D3	R249...C4	R519...B4	R707...D6	T403...G3
C107...B5	C322...F4	C602...B2	C720...C3	C841...G3	F8805_E3	L662...C2	Q813...D3	R259...C5	R520...C3	R708...D5	SW13_D1
C108...A5	C404...G4	C603...A3	C721...C3	C842...G3	F8806_E2	L802...E3	Q845...E1	R251...C5	R521...B3	R711...D4	SW14_D1
C109...B5	C407...E5	C604...A3	C722...C3	C843...G3	F8807_E3	L804...E3	Q901...A1	R252...C5	R522...B3	R712...D3	SW15_D1
C110...A5	C408...F4	C605...A2	C723...C3	C844...F2	F8808_E2	L901...A1	Q902...B1	R280...D5	R523...B3	R722...D4	SW16_D1
C111...A5	C409...E5	C606...B2	C724...C3	C845...G2	F8905_B1	L902...B1	Q903...A2	R281...D5	R524...B4	R760...C4	SW801_G1
C114...A5	C410...E5	C607...A3	C725...C3	C846...G2	FR301_E5	L903...B1	Q904...A1	R301...E4	R525...B4	R761...C4	T402_F5
C115...A4	C411...F4	C608...B2	C726...D4	C848...E2	FR401_E5	L904...A1	R1...E5	R302...F4	R526...B5	R762...D4	T403_G3
C130...A5	C412...G4	C609...A3	C727...D4	C850...D3	FR402_G3	L905...B1	R11...C4	R303...E4	R527...C5	R801...E2	TH802_F1
C131...A5	C413...G4	C610...A3	C729...C3	C853...D3	FR403_G3	L906...B1	R16...E1	R304...E4	R528...B3	R802...F2	TH803_E3
C132...B5	C414...G4	C611...A3	C730...C3	C855...D1	FR404_E5	LD11...F1	R17...E1	R305...E4	R529...B5	R803...D3	TH804_F2
C201...C1	C415...E4	C612...B2	C731...D4	C856...D1	FR501_E4	P01...C1	R18...D1	R306...E4	R530...A4	R804...G2	TH805_E2
C210...C5	C417...G4	C613...B2	C732...E4	C901...B1	FR801_E2	P07...C1	R19...D1	R307...E4	R531...A4	R805...G2	TH801_F2
C211...D5	C427...G4	C614...B2	C740...B3	C902...A2	FR815_E2	P101...A5	R20...D1	R308...E4	R532...C4	R806...G3	TH802_E2
C212...D5	C501...A5	C615...A2	C741...B3	C904...B1	FR816_E3	P119...C4	R21...C4	R309...E4	R533...B5	R807...G3	TH803_F2
C214...D5	C502...A4	C617...A2	C742...C3	C907...A1	FR825_E2	P201...C1	R22...B4	R310...F4	R534...B4	R808...F3	TU101_B5
C215...D5	C503...A5	C652...C1	C746...C3	C908...A1	FR932_B1	P205...C1	R23...C4	R311...E4	R535...B4	R809...F3	VD801_G2
C221...D5	C504...A5	C661...C2	C748...C3	D111...A4	HIC211_A4	P601...B2	R40...B3	R312...E4	R536...C3	R810...F3	X1...C4
C222...D5	C505...C3	C662...C2	C756...D5	D301...E5	HIC291_C4	P602...B2	R41...B4	R313...E4	R537...B4	R811...E2	X501_B4
C225...D5	C506...B4	C664...C2	C757...D5	D302...E4	IC02...C4	P605...B2	R42...B4	R315...F4	R538...B4	R812...G3	X661_D2
C226...D5	C507...B4	C665...C2	C758...D4	D303...E5	IC04...D1	P610...B1	R43...C4	R316...E4	R547...F5	R814...G3	Z102_A4
C229...C5	C508...B5	C666...C2	C759...D4	D304...F4	IC301...C1	P710...C1	R59...D1	R401...G4	R550...E5	R816...E3	Z111_A4
C230...C1	C509...B5	C667...C2	C760...D4	D401...C1	IC501...A1	P803...B5	R60...E1	R403...G4	R561...C4	R820...F1	ZD102_A5
C231...C1	C510...B4	C668...C2	C761...D4	D403...D5	IC901...A3	P901...A2	R65...C4	R404...E4	R562...C4	R823...D2	ZD103_B5
C232...C1	C511...B4	C669...D1	C762...D4	D404...E5	IC961...D2	P902...B1	R66...D1	R405...F3	R563...C4	R825...D1	ZD405_D5
C233...C1	C512...B5	C670...B2	C763...D4	D405...D5	IC962...D2	P02A_D1	R69...C4	R406...F3	R564...C4	R826...D1	ZD407_D4
C234...C1	C513...B4	C672...C2	C764...D4	D501...D4	IC701_C3	P03A_D1	R72...E1	R407...E5	R565...D3	R831...D3	ZD412_D5
C235...C1	C514...F5	C673...C2	C765...D4	D502...D4	IC751_D4	P05A_C1	R82...F1	R408...E5	R566...D4	R832...D3	ZD505_B3
C236...C1	C515...C5	C674...C2	C766...D4	D505...E5	IC801_G2	P13A_D1	R100...D1	R409...E5	R567...D4	R833...E4	ZD506_A3
C237...C1	C516...B4	C675...C2	C767...D5	D801...B3	IC802_F3	P211A_D5	R101...A5	R410...D4	R601...A2	R835...E3	ZD901_D2
C238...B1	C517...C5	C677...D2	C768...D4	D802...A3	IC803_D2	P211B_A4	R102...A4	R413...F4	R602...A2	R873...D2	ZD801_G3
C239...C1	C518...B3	C680...C2	C802...G2	D803_A2	IC804_E2	P401A_G4	R103...A5	R414...D5	R603...A2	R883...D2	ZD802_D1
C242...D5	C519...B4	C681...C2	C803_F2	D804_A3	IC805_E3	P401B_F4	R104...A4	R415...D5	R604...A2	R884...E3	ZD804_E1
C243...D5	C520...B5	C684...C2	C804_G2	D801_C2	IC806_E1	P401C_F4	R105...A4	R416...E5	R605...A3	R902...B1	ZD851_E3
C246...C5	C521...B4	C685...C2	C805_G2	D802_F3	JA01_C5	P401D_F4	R107...E5	R417...D5	R606...B3	R904...A1	
C280...D5	C522...B5	C686...C2	C806_E1	D803_F3	JA02_C1	P801A_G1	R108...A5	R418...F4	R607...A3	R905...A2	

## DIAGRAMA EN BLOQUE



## SIDE AV

