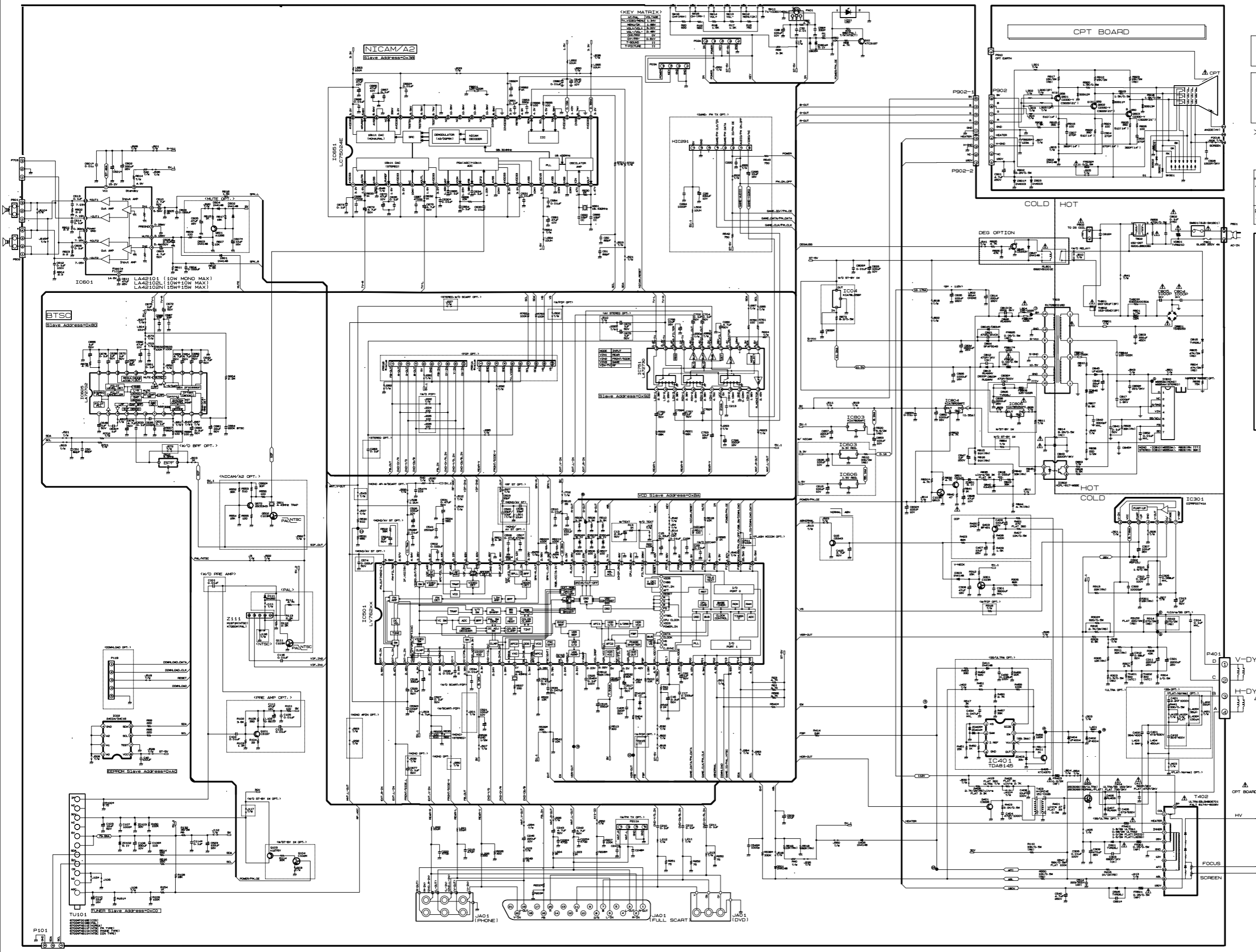


< SCHEMATIC DIAGRAM OF CW-81B >



WARNING: BEFORE SERVICING THIS CHASSIS, READ 'X-RAY RADIATION PRECAUTION', 'SAFETY PRECAUTION', AND PRODUCT SAFETY NOTICE IN THIS MANUAL.

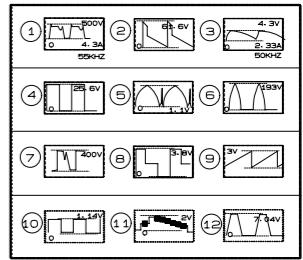
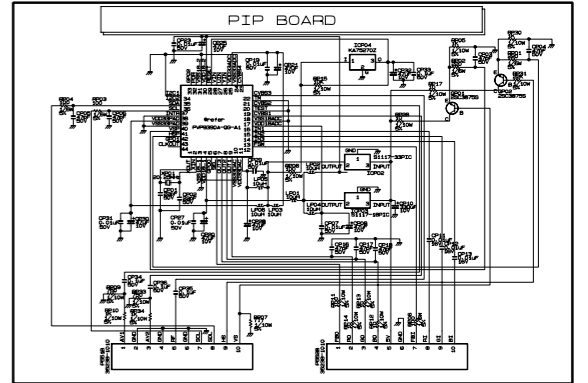
CAUTION: THE MARKS IN THE SCHEMATIC DIAGRAM AND THE PARTS LIST DESIGNATE COMPONENTS WHICH HAVE SPECIAL CHARACTERISTICS FOR SAFETY, AND SHOULD BE REPLACED ONLY WITH TYPES IDENTICAL TO THOSE IN THE ORIGINAL CIRCUIT OR SPECIFIED IN THE PARTS LIST. BEFORE REPLACING ANY OF THESE COMPONENTS, READ CAREFULLY THE PRODUCT SAFETY NOTICE IN THIS MANUAL. DO NOT DEGRADE THE SAFETY OF THE RECEIVER THROUGH IMPROPER SERVICING.

* : OPTION

< IC VERSION >

* ASSEMBLE SUBCIC(AV/ST)IC WITH RF/ST IC FOR RF-ST MODEL

SOUND IC	SYSTEM	COMB	EW	TXT	Surround	A2+NICAM	BTSC
AV-ST LV76213	PAL/NT	X	●	X	●	●	●
LV76223	PAL/NT/SECAM	X	●	X	●	●	●
LV76233	PAL/NT/SECAM	X	●	●	●	●	●
RF-ST LC75024	A2/NICAM					●	X
IC LA72702NB	BTSC						●



IC301		
Standard	Adjust	Stand-by
① 2.25V	① 2.26V	① 34.6mV
② 29.55V	② 29.8V	② 0.25V
③ 1.63V	③ 0.64V	③ 0.4mV
④ 3.4mV	④ 9.6mV	④ 0.3mV
⑤ 14.97V	⑤ 15.3V	⑤ 0.24V
⑥ 29.43V	⑥ 29.1V	⑥ 1.4V
⑦ 2.25V	⑦ 2.25V	⑦ 10.7mV

IC401		
Standard	Adjust	Stand-by
① 8.42V	① 8.46V	① 0.22V
② 4.89V	② 4.96V	② 0.23mV
③ 8.42V	③ 8.46V	③ 0.23mV
④ 4.4mV	④ 1.4mV	④ 0.23V
⑤ 11.9V	⑤ 1.09V	⑤ 0.55V
⑥ 29.59V	⑥ 29.8V	⑥ 0.25V
⑦ 2.89V	⑦ 3.5V	⑦ 0.76V
⑧ 2.85V	⑧ 2.86V	⑧ 0.2mV