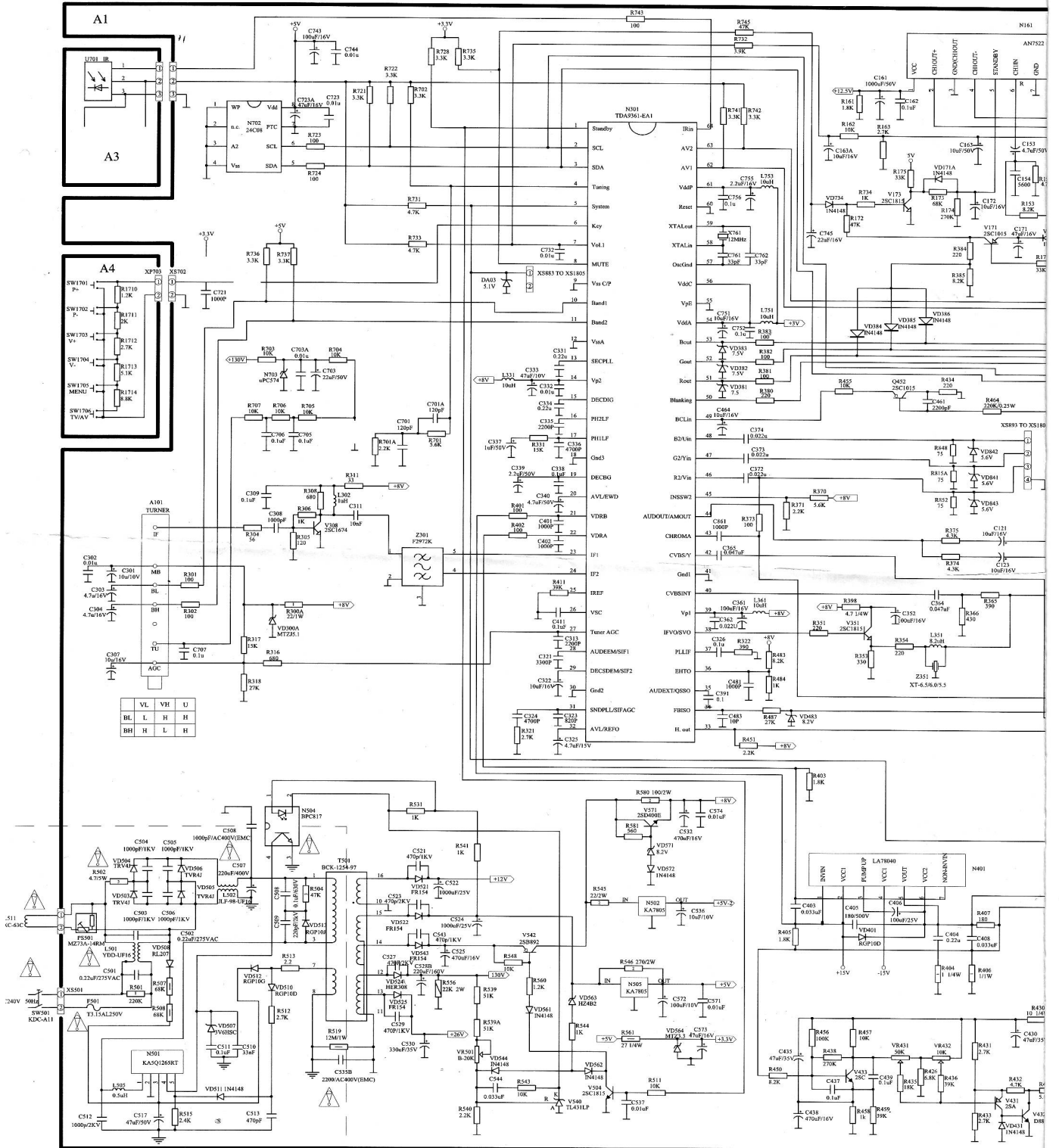
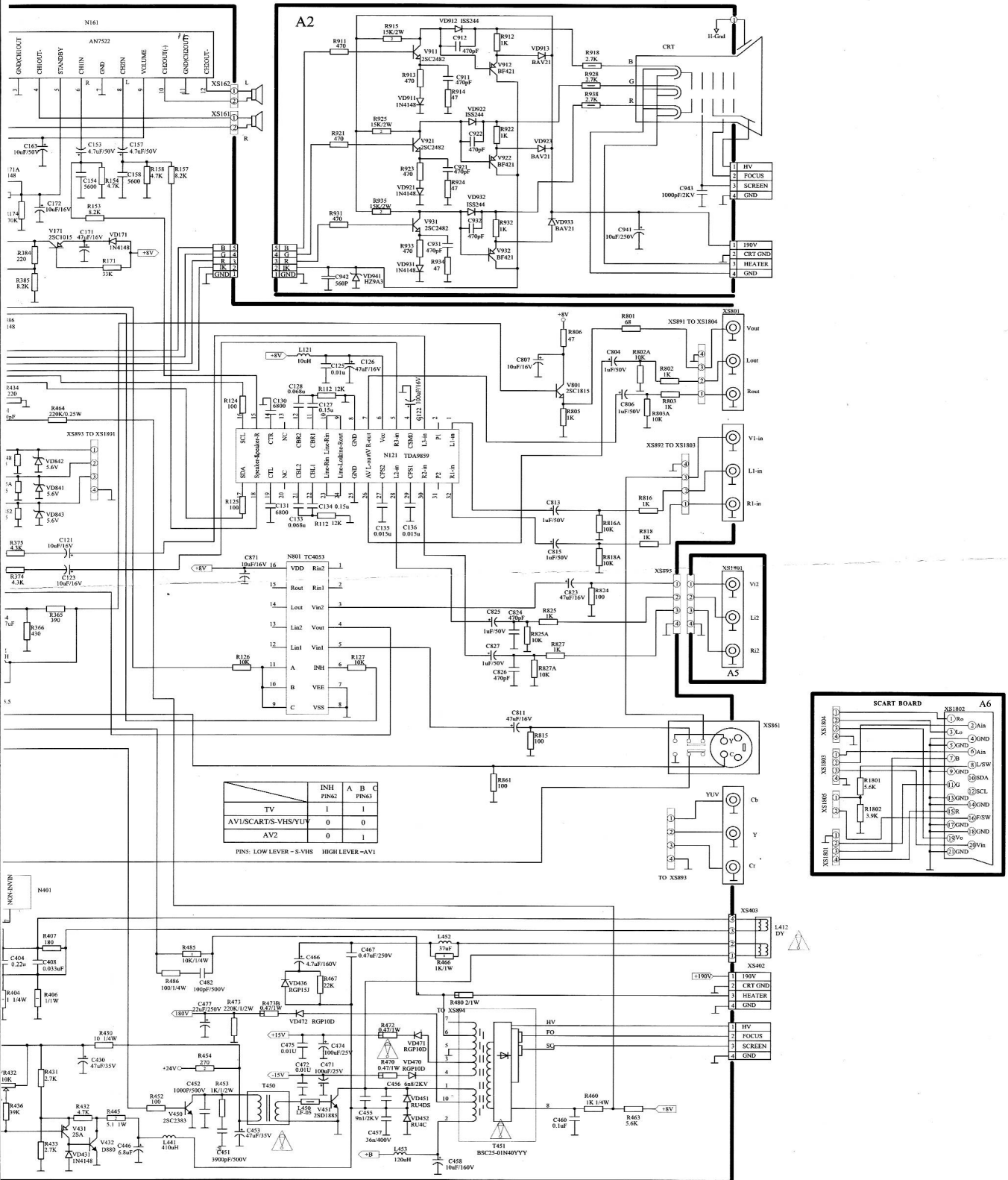


# COLOUR TV SCHEMATIC



# TIC DIAGRAM

MODEL: PH03VS-29



	INH	A	B	C
TV	1	1	1	1
AV1/SCARTS-VHS/YU	0	0		
AV2	0	1		

PINS: LOW LEVER - S-VHS HIGH LEVER - AV1

