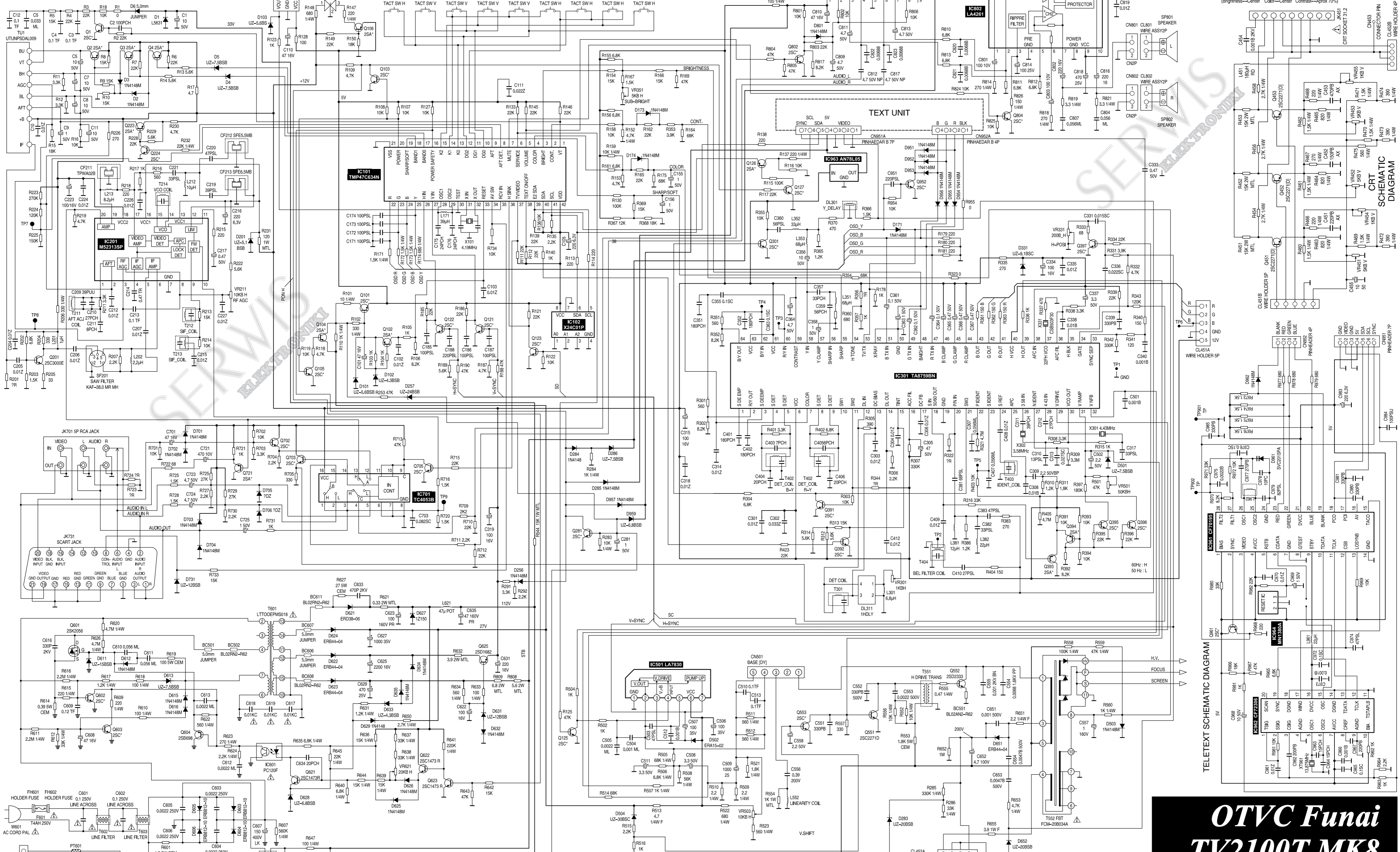
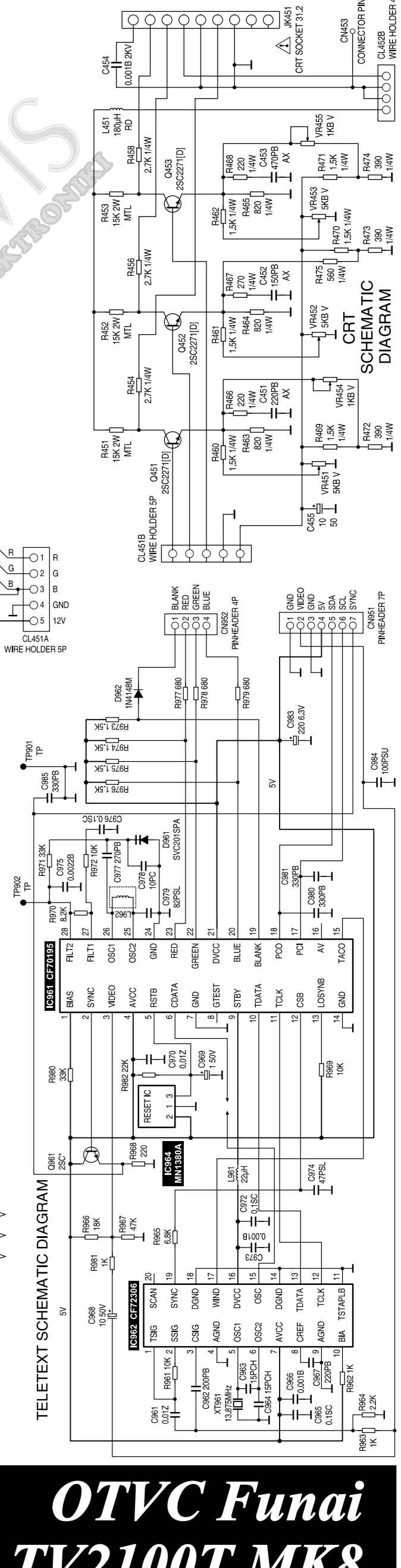


MAIN SCHEMATIC DIAGRAM



WFA - Waveforms to be observed at Waveform check points. (Shown in Schematic Diagram).
 Input: PAL Color Bar Signal (with 1kHz Audio Signal).
 Receiving Ch: E2 ch (48.25 MHz)
 Preset Mode: Press Picture Select button on the remote control unit, then press number "1" button.
 (Brightness-Center Color-Center Contrast-Aprox 70%)

TELETEXT SCHEMATIC DIAGRAM



NOTE: CHASSIS SCHEMATIC DIAGRAM NOTES.
 1. ALL RESISTOR VALUES ARE IN OHMS, K=1000, M=1000K.
 2. ALL CAPACITANCE VALUES ARE IN µF UNLESS OTHERWISE NOTED. µF=µF.
 3. SAFETY REQUIREMENTS COMPONENT IN ACCORDANCE WITH PRESENT SAFETY REGULATIONS. THESE COMPONENTS MUST ONLY BE REPLACED BY ORIGINAL PARTS.
 4. IS COLD GROUND.
 5. IS HOT GROUND.
 6. WAVEFORMS READING.
 7. NO INDICATED 25°C ARE KTC3199.
 8. NO INDICATED 25°C ARE KTA1267.
 9. NO INDICATED DIODES ARE 1N4148M.

