

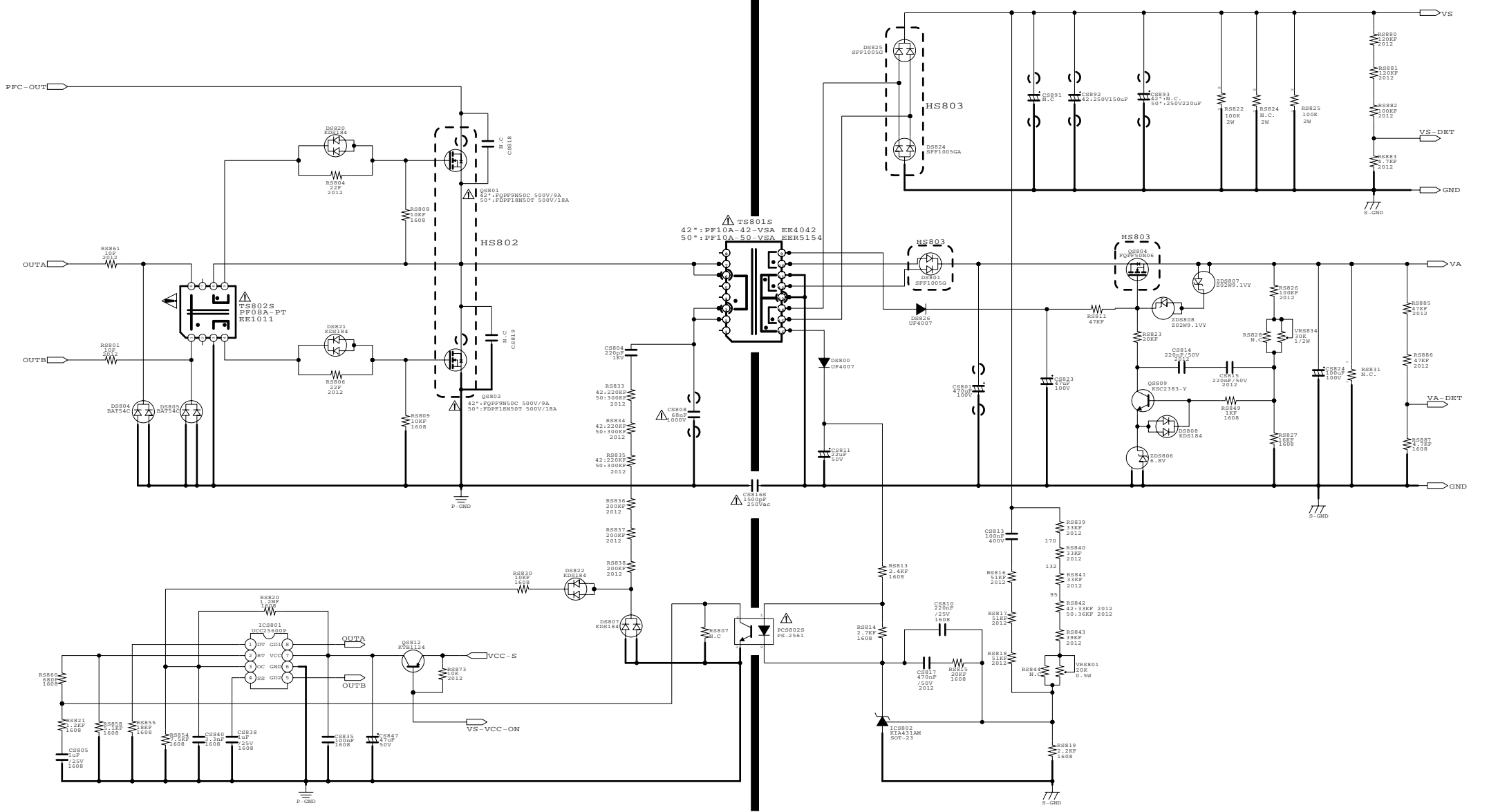
N.C : No Connection

NOTE
PFC BLOCK



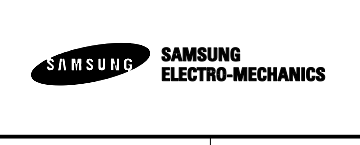
USER	SAMSUNG ELECTRONICS.CO.LTD		DATE	2010/01/20
MODEL NAME	PZ4_5		SCALE	A3
PDM NUMBER			REVISION	R.C
			CommonScore	APPROVED

HOT COLD



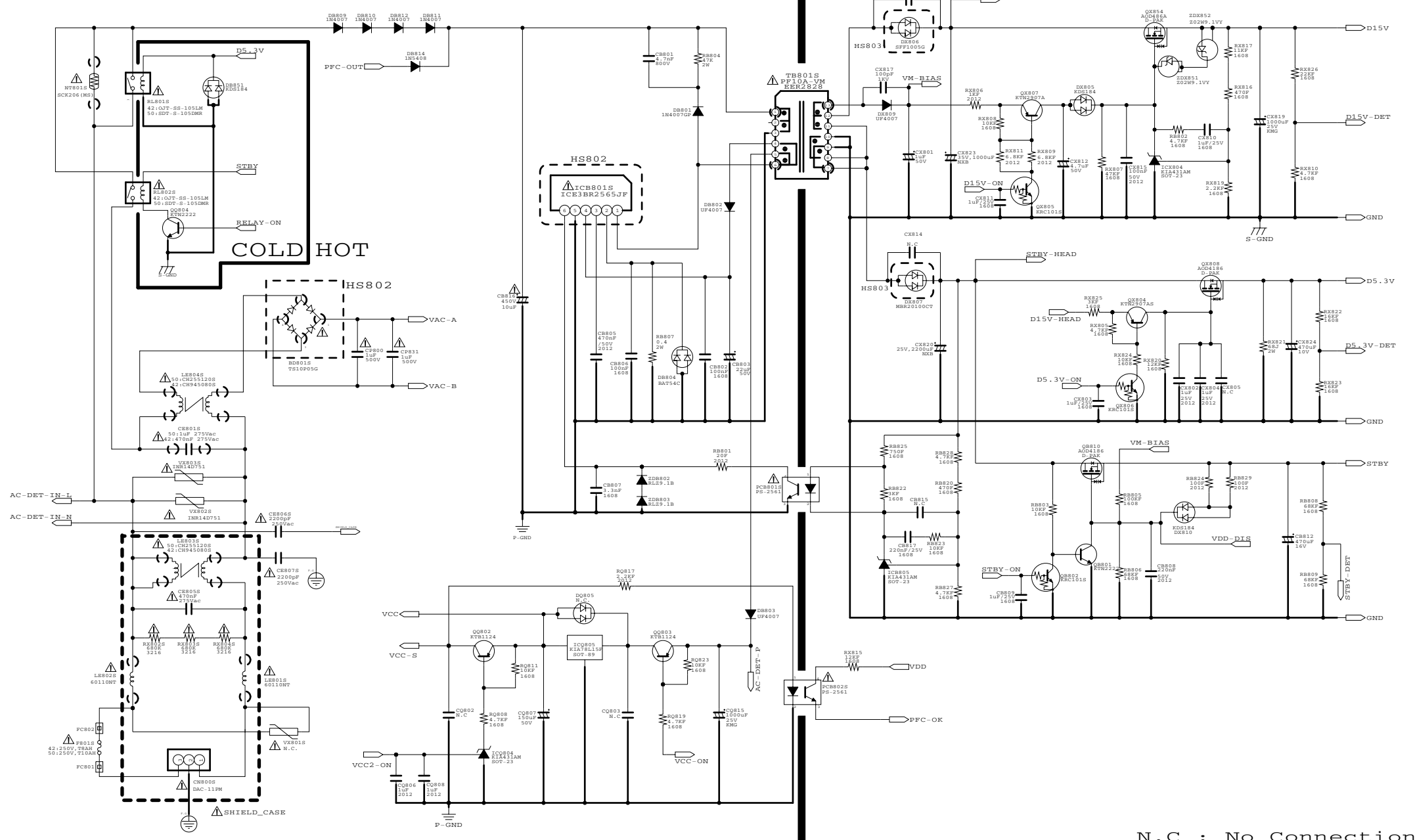
N.C : No Connection

NOTE
VSA BLOCK



USER SAMSUNG ELECTRONICS.CO.LTD		DATE 2010/01/20	
MODEL NAME PZ4_5	SCALE A3	DRAWN	
PDM NUMBER	REVISION R.C	CHECKED	
	CommonScore	APPROVED	

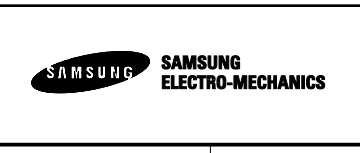
HOT COLD



N.C : No Connection

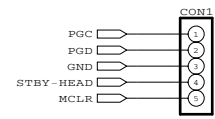
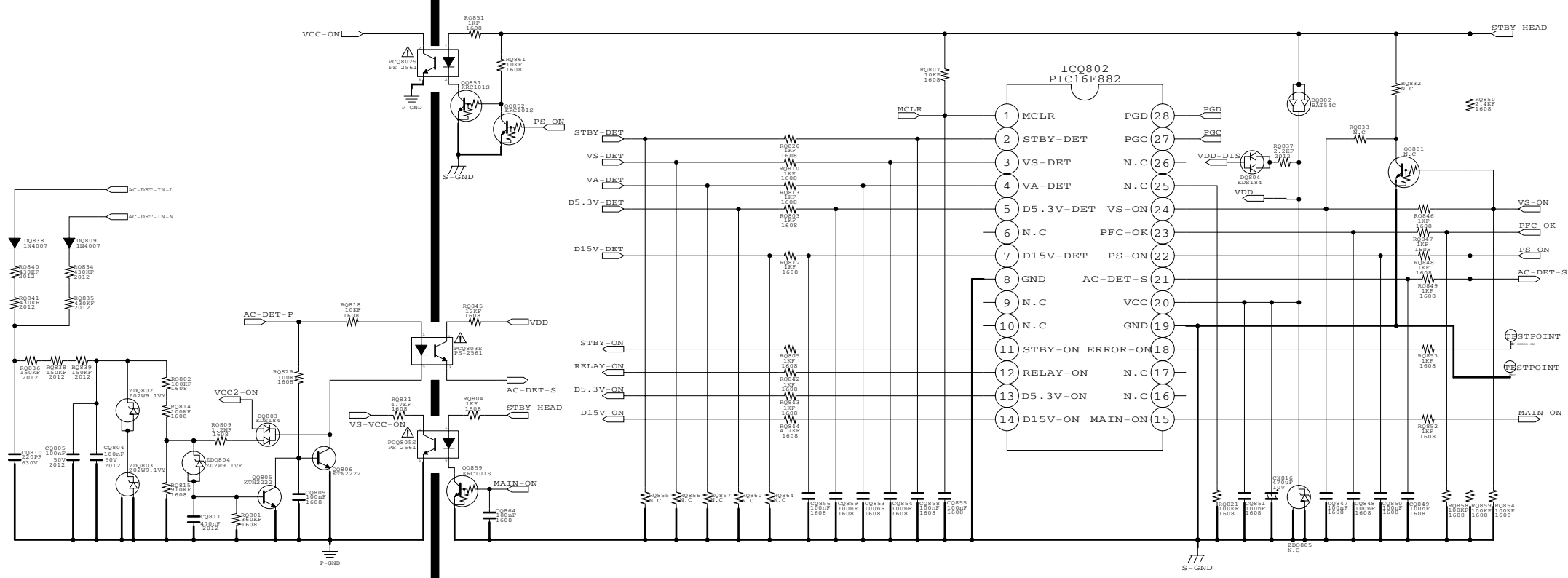
NOTE

EMI & STBY BLOCK



USER	SAMSUNG ELECTRONICS.CO.LTD		DATE	2010/01/20
MODEL NAME	PZ4_5		SCALE	A3
PDM NUMBER			REVISION	R.C
			CommonScore	APPROVED

HOT COLD



NOTE
SEQUENCE & PROTECTION BLOCK



USER	SAMSUNG ELECTRONICS.CO.LTD	DATE	2010/01/20
MODEL NAME	PZ4_5	SCALE	A3
PDM NUMBER		REVISION	R.C
		CommonScore	APPROVED

///



SAM
ELEC

MODEL NAME

SCALE

DATE

DRAWN

D

E

F